

# MG model art. 20.02 scala 1:20 Ferrari 553 "Squalo" F1 1954

# 38 Mike Hawthorn - G.P. Barcelona 1954 (winner)

# 2 Froilan Gonzalez - G.P. France 1954 (retired)

## General Notes

Detailed Multi-Media scale car model for adult collectors.

Modelling experience required.

Always read the instructions before assembling.

Use toolings, adhesives, paints etc. properly after careful reading of instructions given in each handling manual.

Dry fit all parts and sub-assemblies: measure twice and glue once!

Always wear eye protection when cutting or handling parts.

Use extreme caution when using sharp blades.

Work in well ventilated and lightened room.

Wash resin parts with antsiliconic degreaser and an old toothbrush.

Resin parts can be cleaned, sanded, drilled and engraved.

Use putty if necessary.

To make or enlarge holes, use a low speed drill or a hand drill.

Certain parts are delicate! Please be extremely careful with the Photo-Etched sheets and White Metal parts.

Do not inhale resin dust!

Resin parts are temperature sensitive. In case of distortion (warpage), original shape can be restored by dipping in hot water (not boiling) for a few seconds.

Gently bend back to the proper shape, then place the part into cold water to stabilize the shape.

Use super glue (cyanoacrilate) and fast drying epoxy cement for all parts, except clear parts.

Use white glue, vinylic glue or gum for all clear parts.

Decals softener solution recommended.

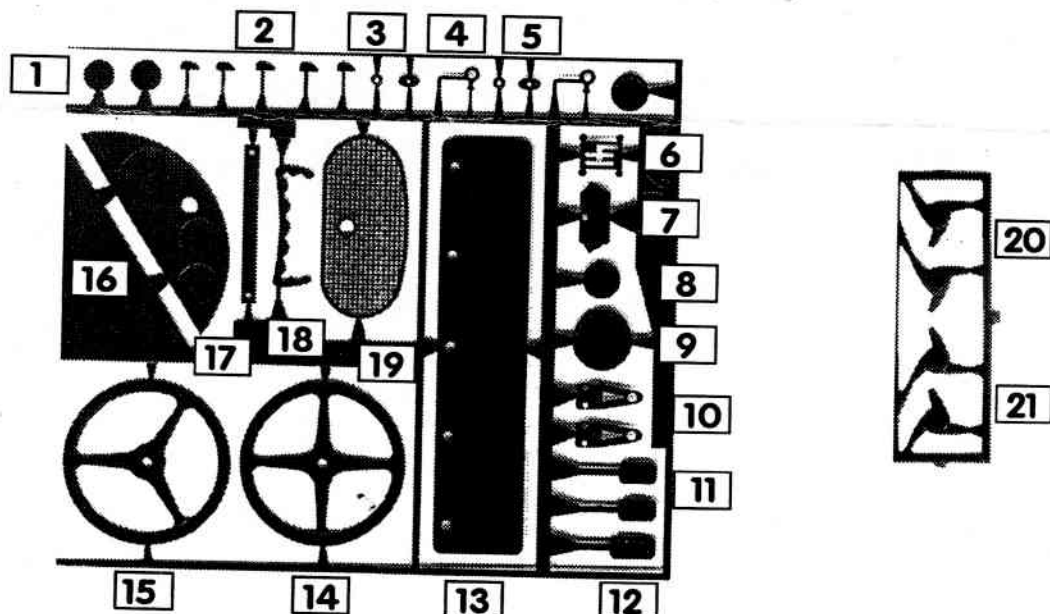
## Resin body painting sequence

Wash body with antsiliconic degreaser and an old toothbrush.

Filler coat.

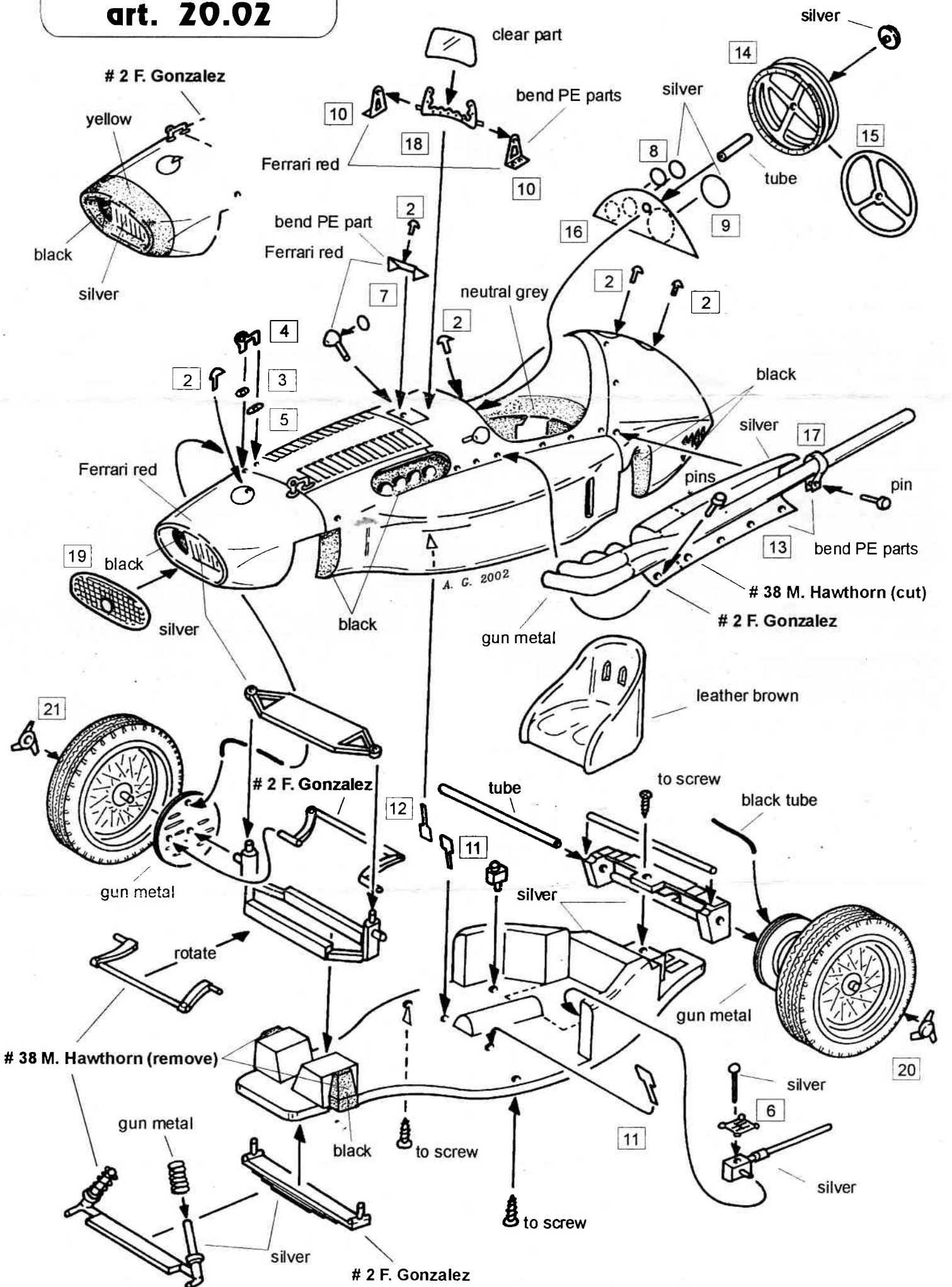
White coat.

Ferrari red coat/s.



# MG model

art. 20.02



# 2 F. Gonzalez

yellow  
black  
silver

Ferrari red  
bend PE part  
Ferrari red

clear part  
bend PE parts  
silver

silver  
tube  
14  
15

2  
3  
4  
5

neutral grey  
2  
2

black  
silver  
pins  
pin

19  
black  
silver

black

A. G. 2002

# 38 M. Hawthorn (cut)  
# 2 F. Gonzalez

gun metal  
leather brown

# 2 F. Gonzalez

21  
gun metal

12  
tube  
to screw  
black tube

rotate

gun metal  
20

# 38 M. Hawthorn (remove)

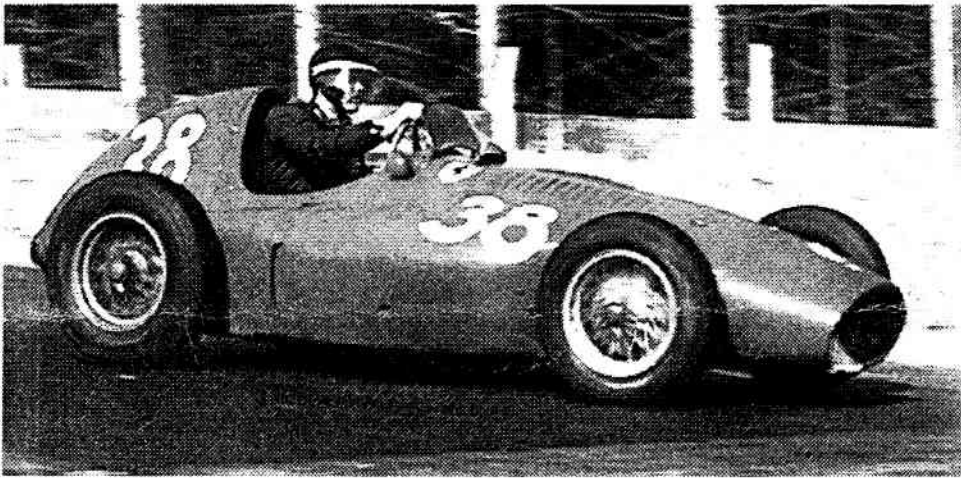
gun metal  
black  
to screw  
silver  
# 2 F. Gonzalez

6  
silver  
silver

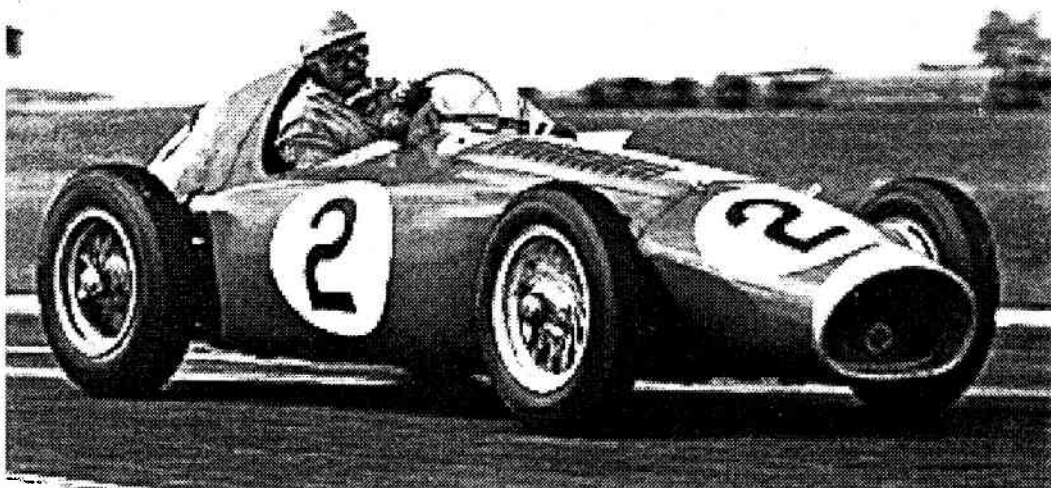
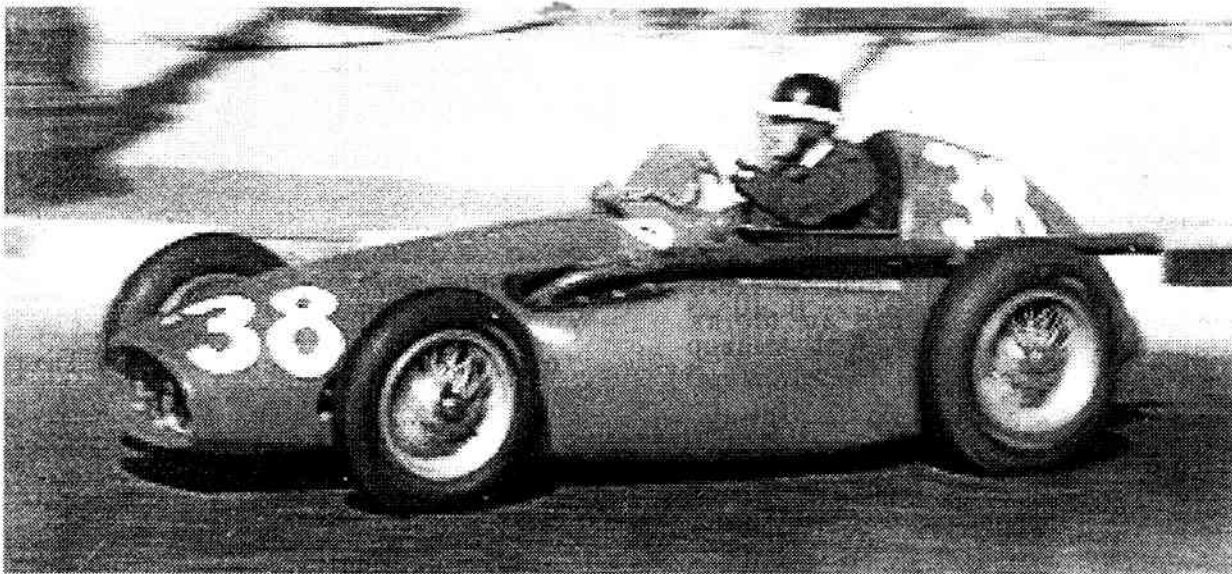
to screw

**MG model**  
art. 20.02

**MG model art. 20.02 scala 1:20**  
**Ferrari 553 "Squalo" F1 1954**



**# 38 Mike Hawthorn**  
**- G.P. Barcelona 1954**  
**(winner)**



**# 2 Froilan Gonzalez - G.P. France 1954 (retired)**



F) 1954, José Froilan Gonzalez

# MG model

scala 1:20

*Kits & Built*



MG.20.01 Ferrari 125 F.1 Gp. di Italia 1948

NEWS

NEWS



MG 20.02 A Ferrari 553 F.1 Gp. di Spagna # 38 ( Winner )

MG 20.02 B Ferrari 553 F.1 Gp. di Francia # 2 1954