



# Ferrari

# 625

## 1954

Art. 92101



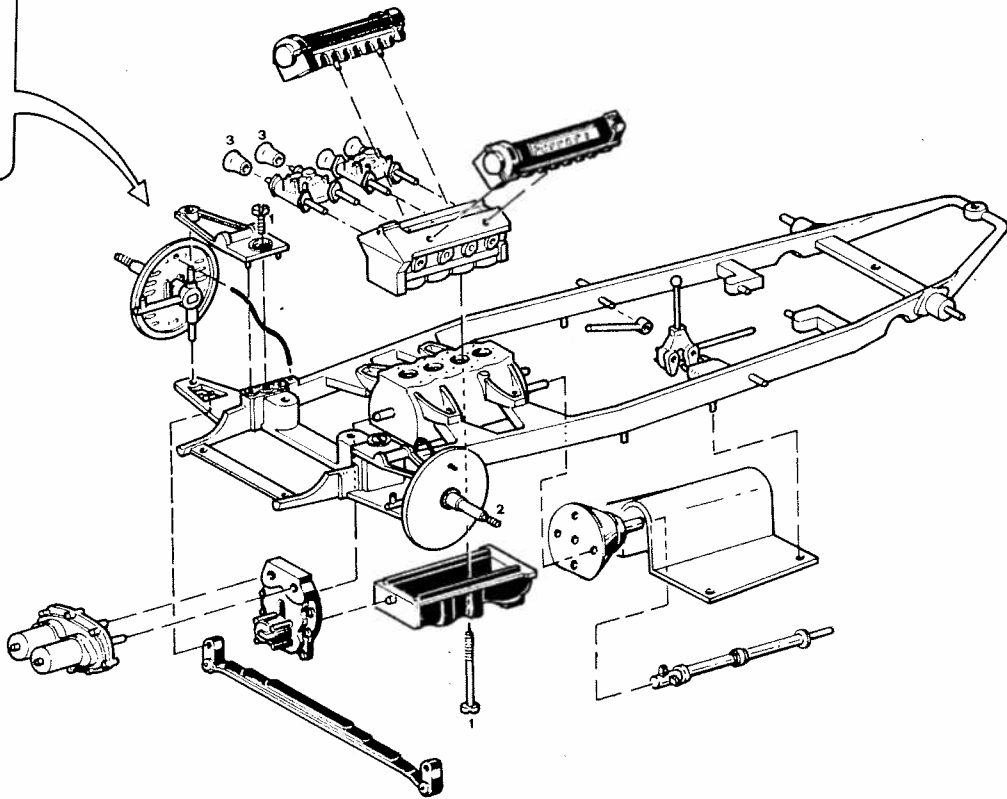
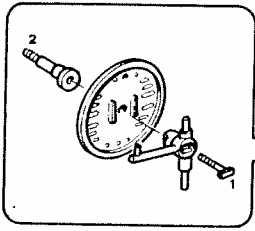
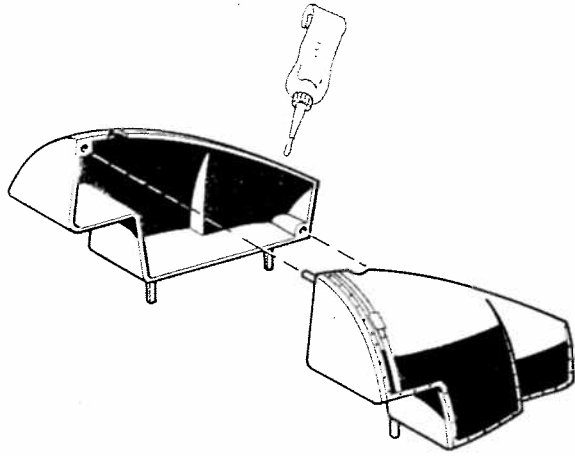
**Revival Deutschland**

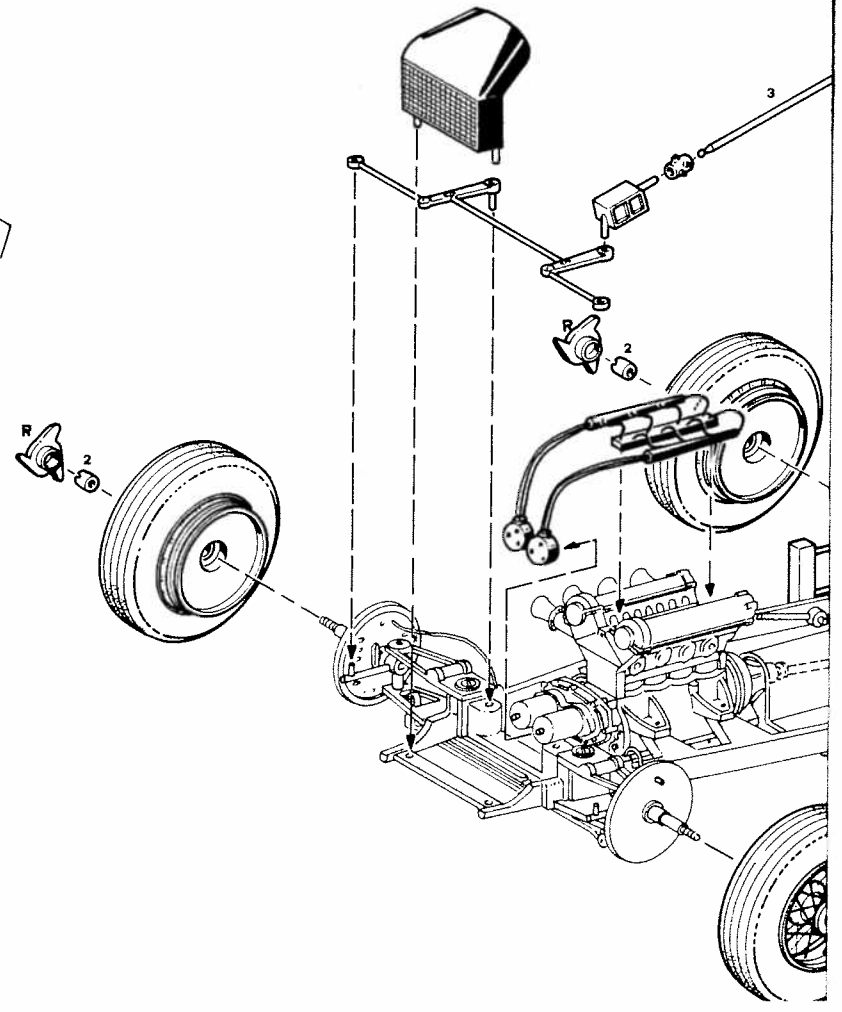
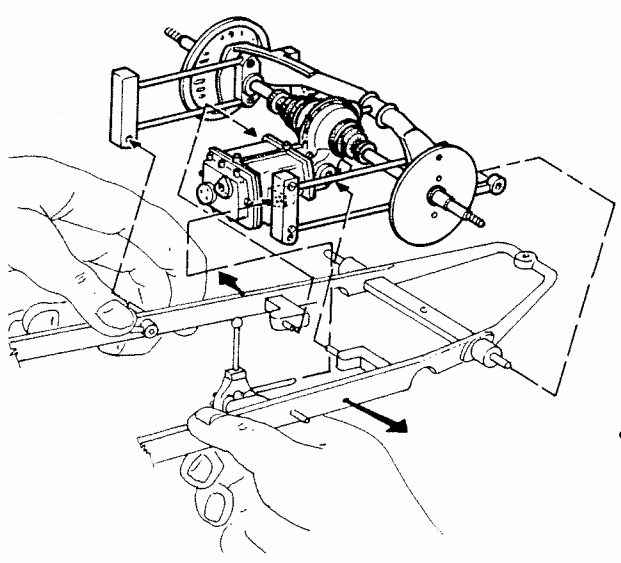
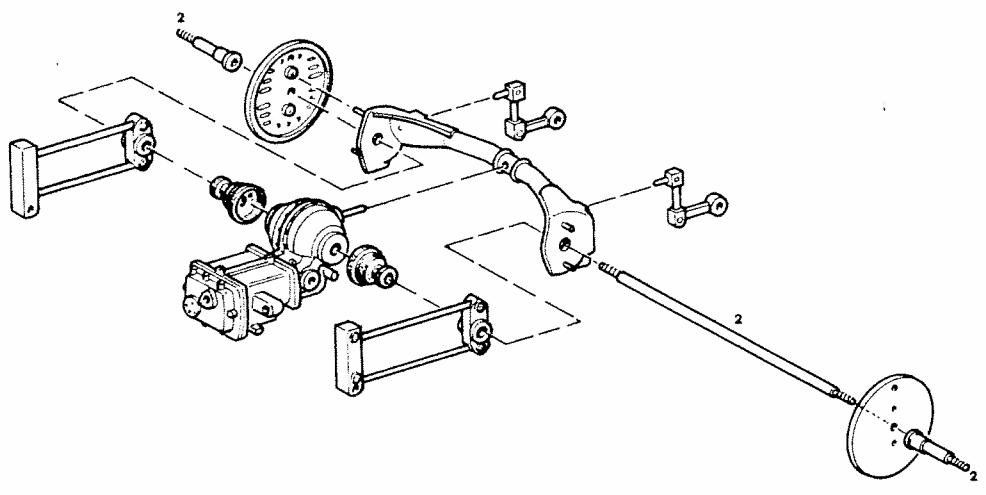
E Dagostino  
Schlesische Str. 20  
94447 PLATTLING  
Tel. 0 99 31 / 69 00

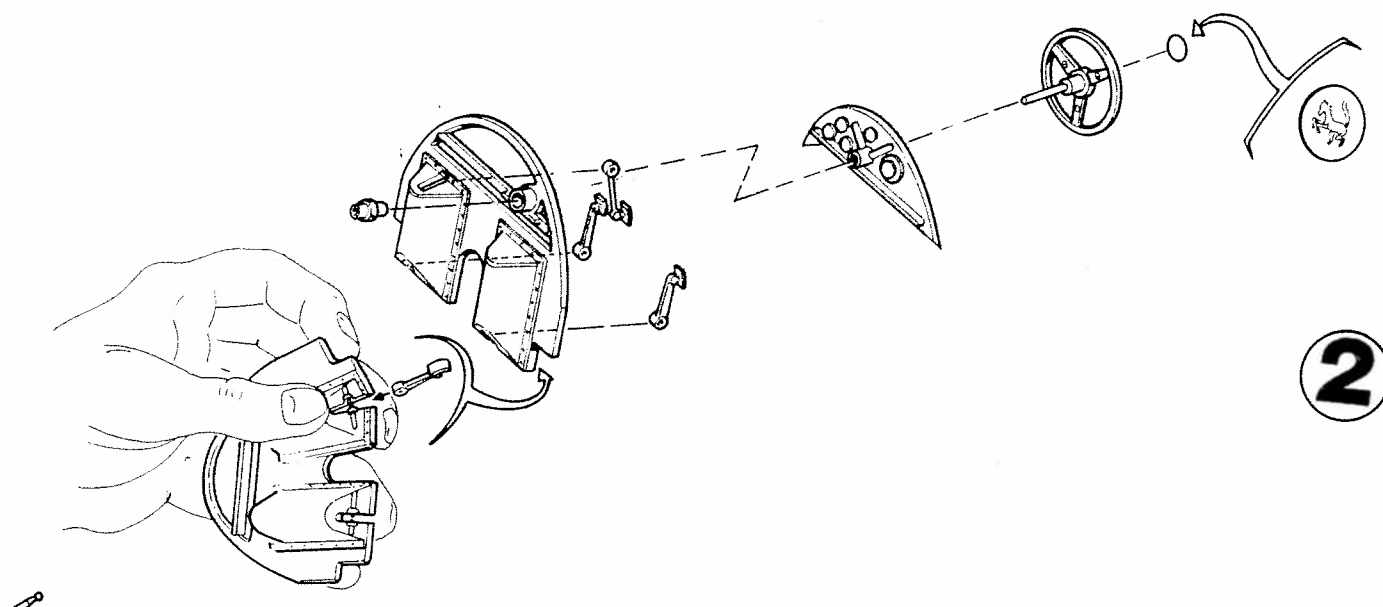


revival snc  
di Bergami Sandro & C.  
via Casaroli, 6  
40061 MINERBIO (BO) ITALY  
Tel. 051/877351  
Telex INSERV- I-520618  
Fax 051 558004

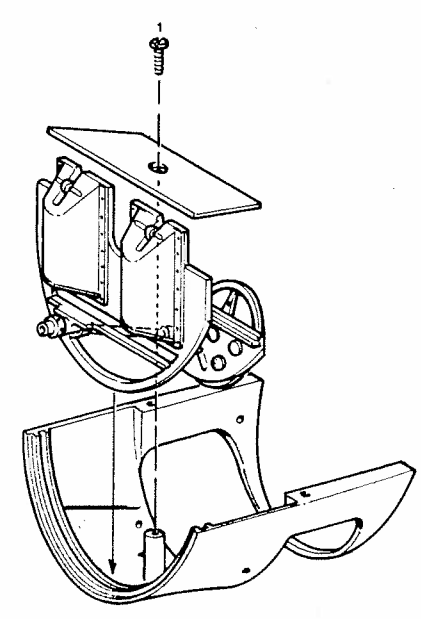
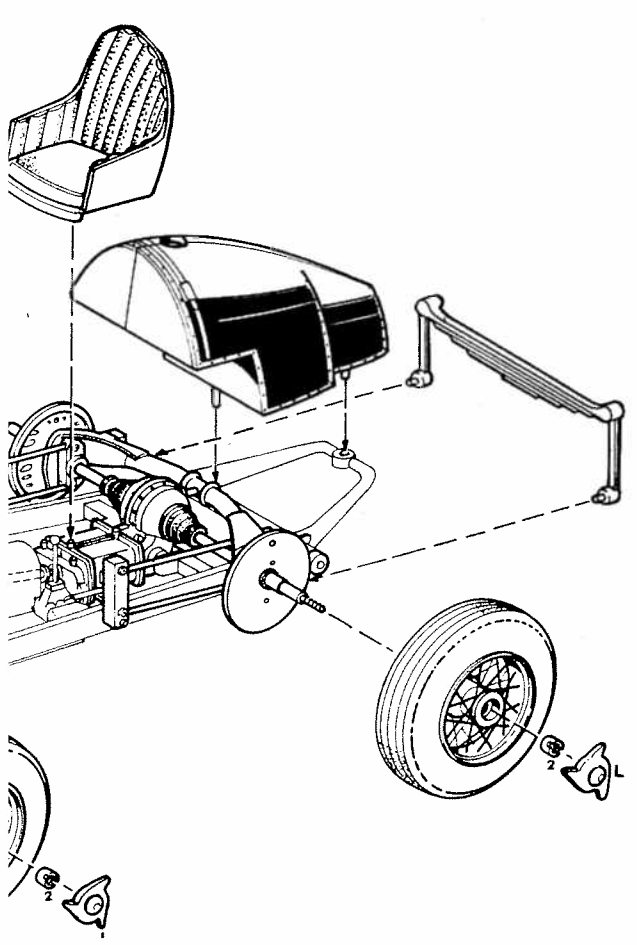
1





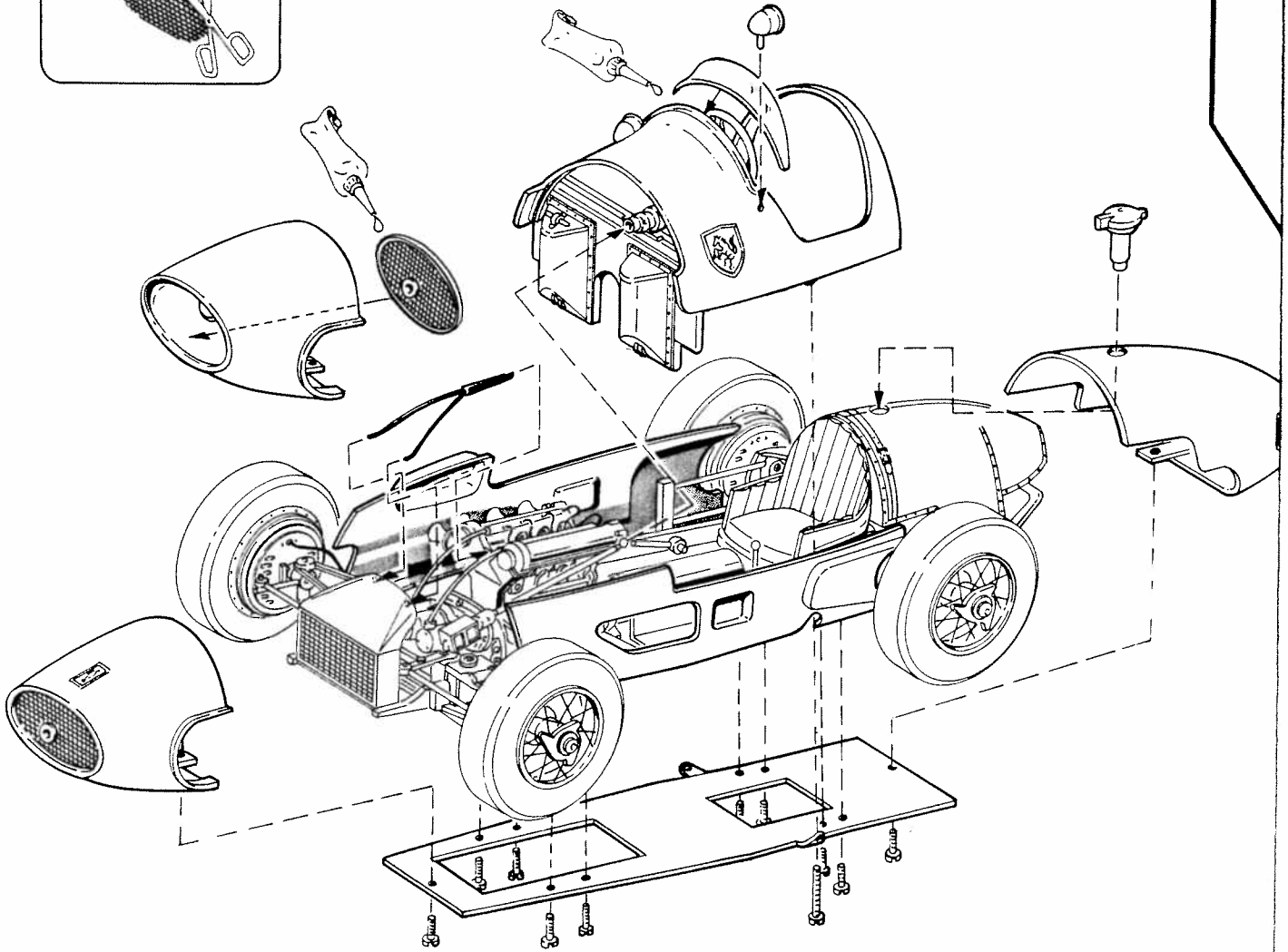
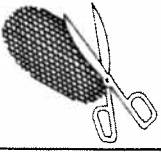


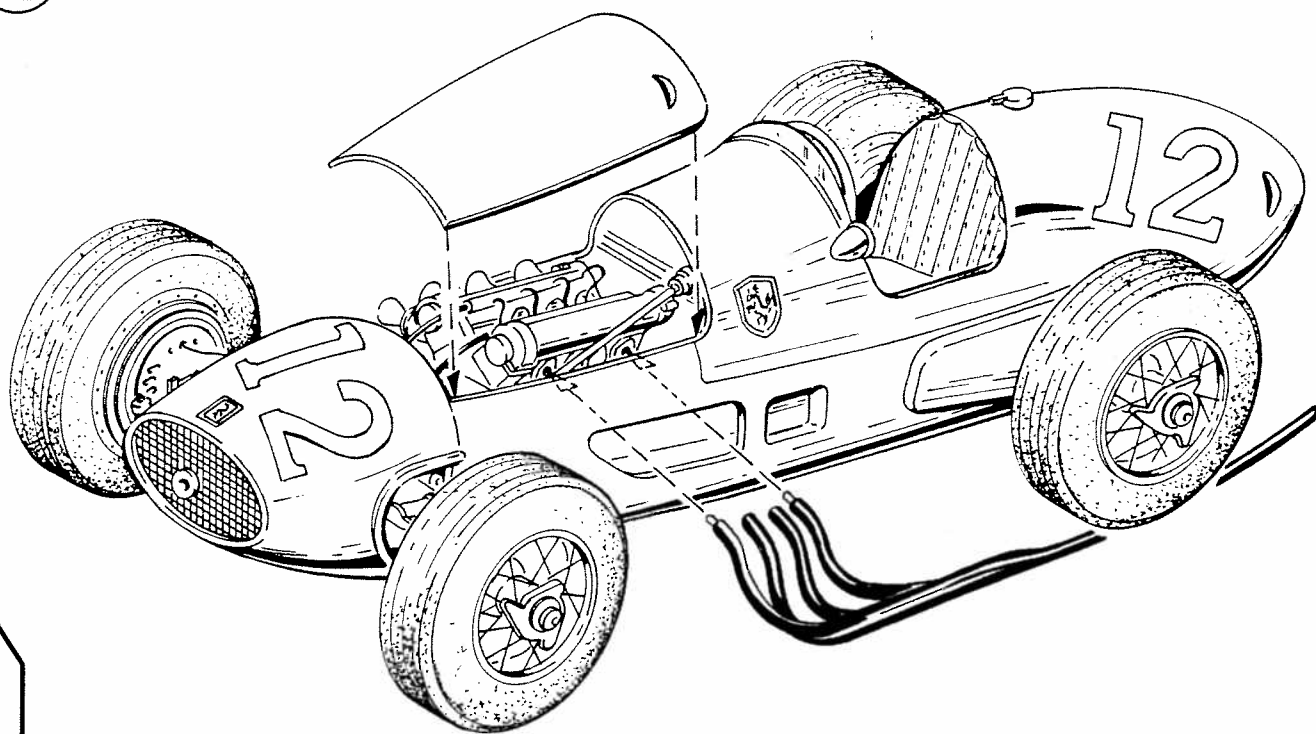
**2**





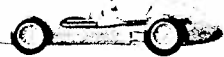


3

OPTIONAL





|   |   |
|---|---|
|   | <i>Mercedes Benz W 163-3 litri-<br/>V 12-1939</i> |
|  | <i>Auto Union V 16-1935-38</i>                    |
|  | <i>Bugatti "35" 1926-28</i>                       |
|  | <i>Fiat F2 130 HP</i>                             |
|  | <i>Ferrari "500" -1952-53</i>                     |