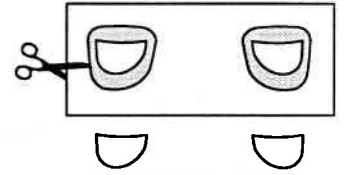
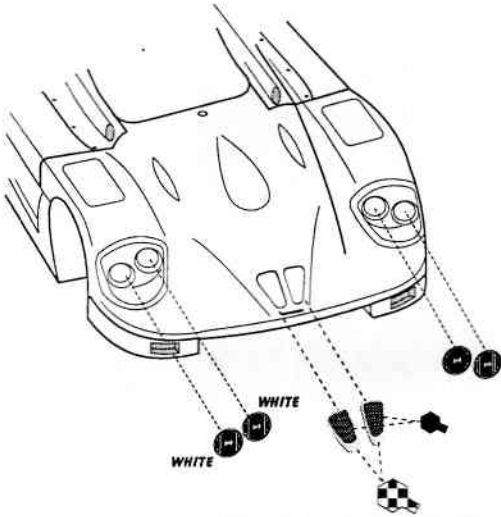
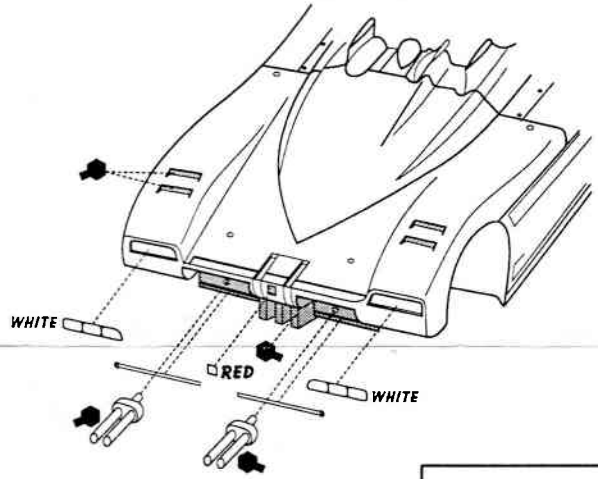


BBR

Project 43

BMW V12 LM98 "HSH"


24 H LE MANS 1999



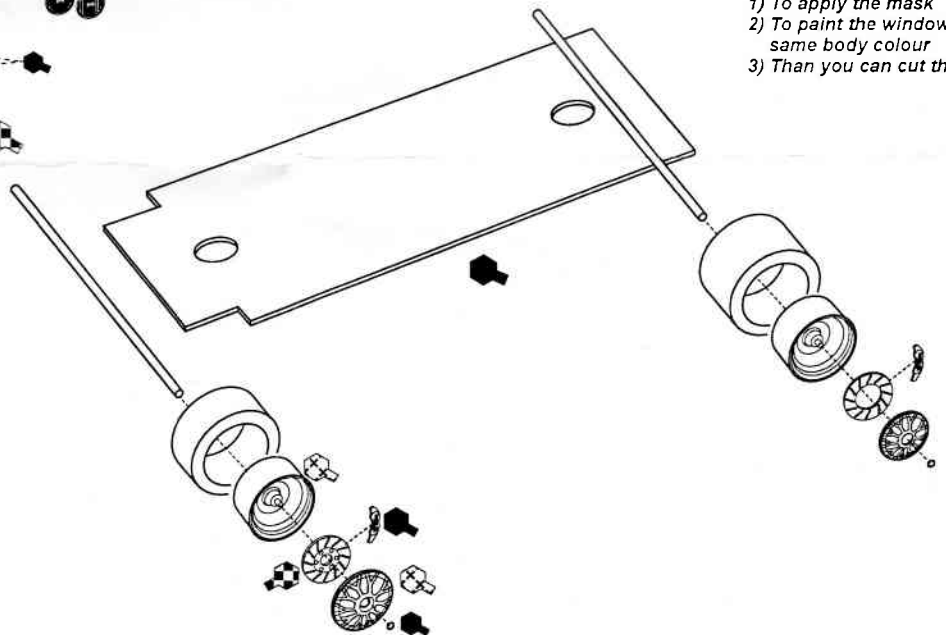
- 1) Applicare la maschera
 - 2) Verniciare il vetro del colore della vettura
 - 3) Poi tagliare
-
- 1) To apply the mask
 - 2) To paint the window with same body colour
 - 3) Than you can cut the part

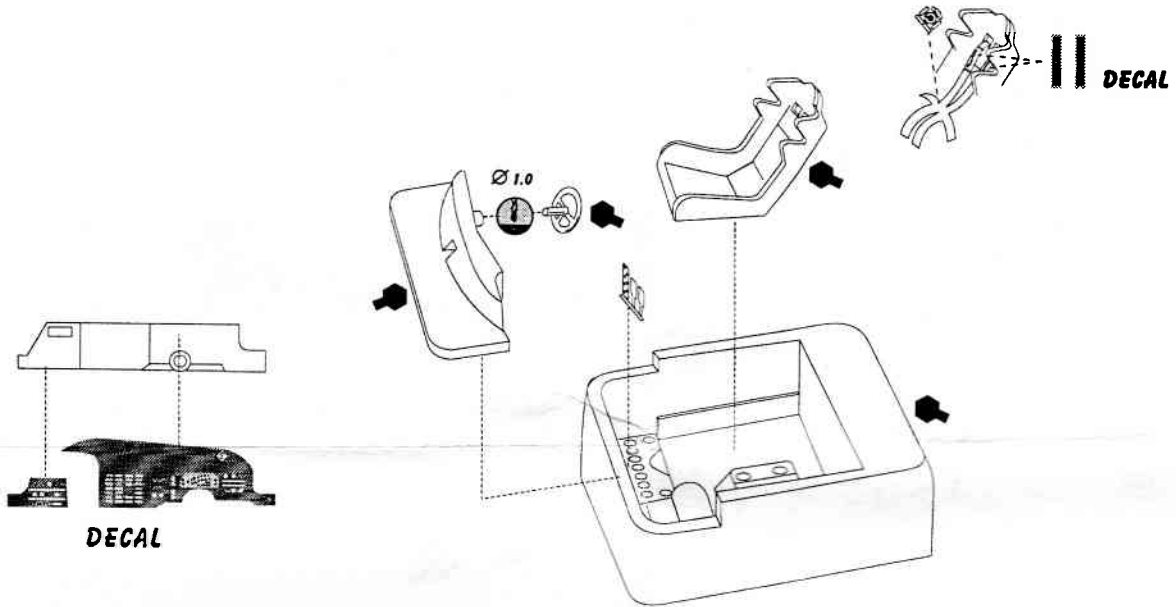
COD. PJ224

 **METALLIC BLACK**

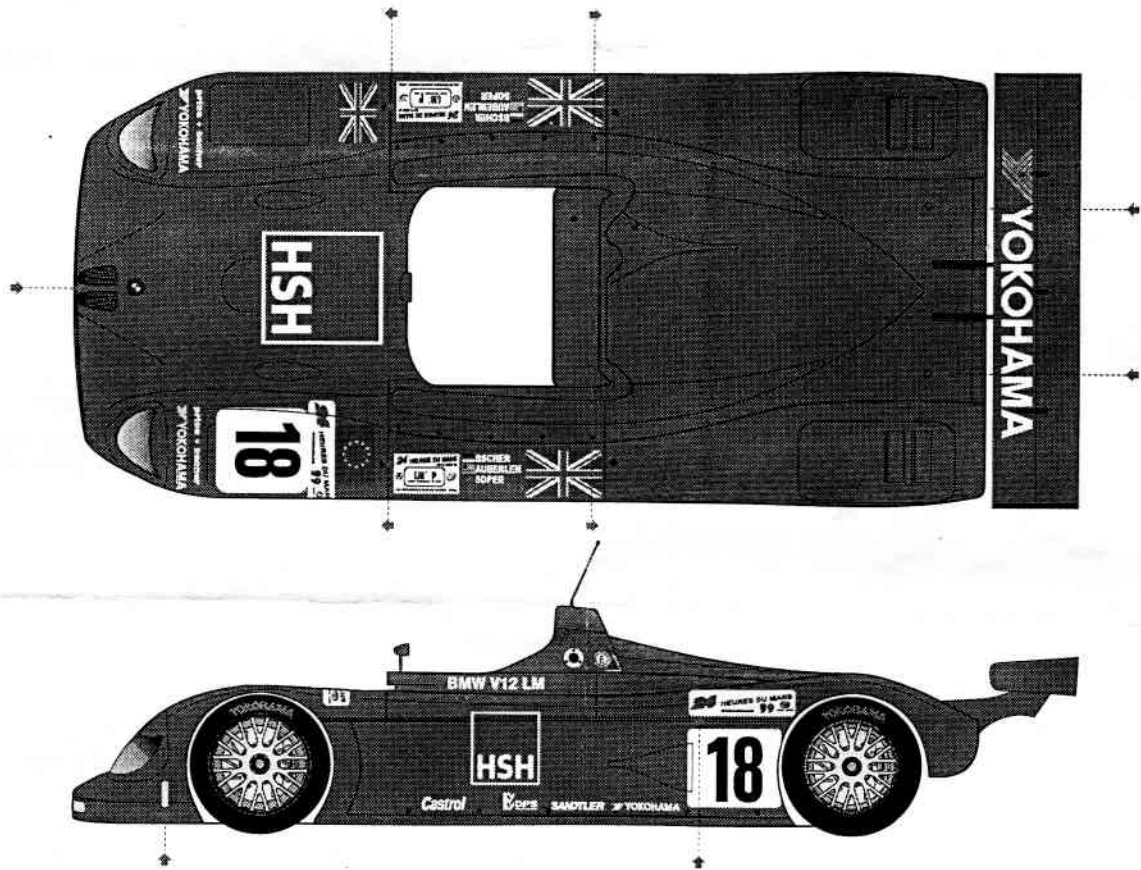
-  - DRILL OR PIERCE
- PERCER
- BOHREN
- FORARE

- ★ **TO STICK THE PHOTOETCHED ON TRASPARENT POLYESTER**
- **TO FOLD THE PHOTOETCHED FOLLOW THE JOINTS**
- ◆ **BUILTS BEFORE PAINTING**





DRIVERS: N°18 BSCHER - SOPER - AUBERLEN



TAMIYA COLOURS
() TESTOR COLOURS



RED
X7
(2719)



CHROME SILVER
X11
(1790)



FLAT BLACK
XF1
(1749)



GUN METAL
X10
(1405)