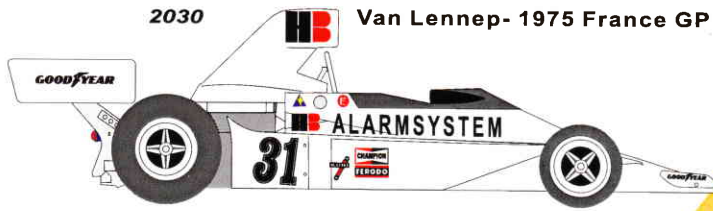


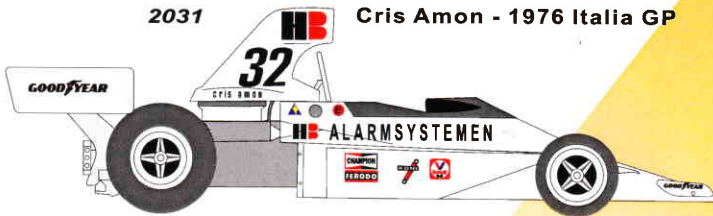
EW 175

120/High tech Resin Kit

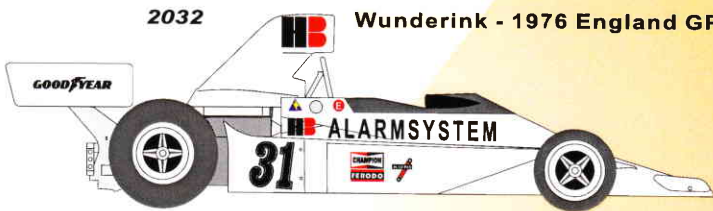
2030 Van Lennep- 1975 France GP



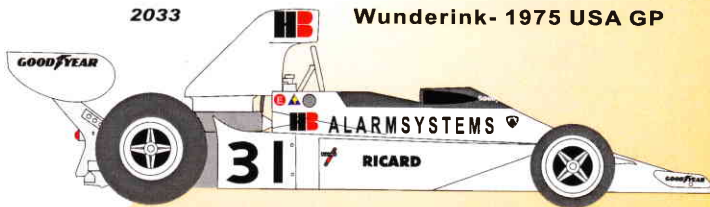
2031 Cris Amon - 1976 Italia GP



2032 Wunderink - 1976 England GP



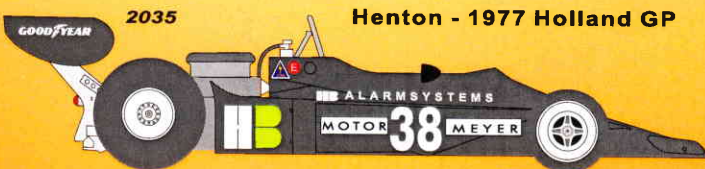
2033 Wunderink- 1975 USA GP



2034 Perkins - 1976 Monaco GP

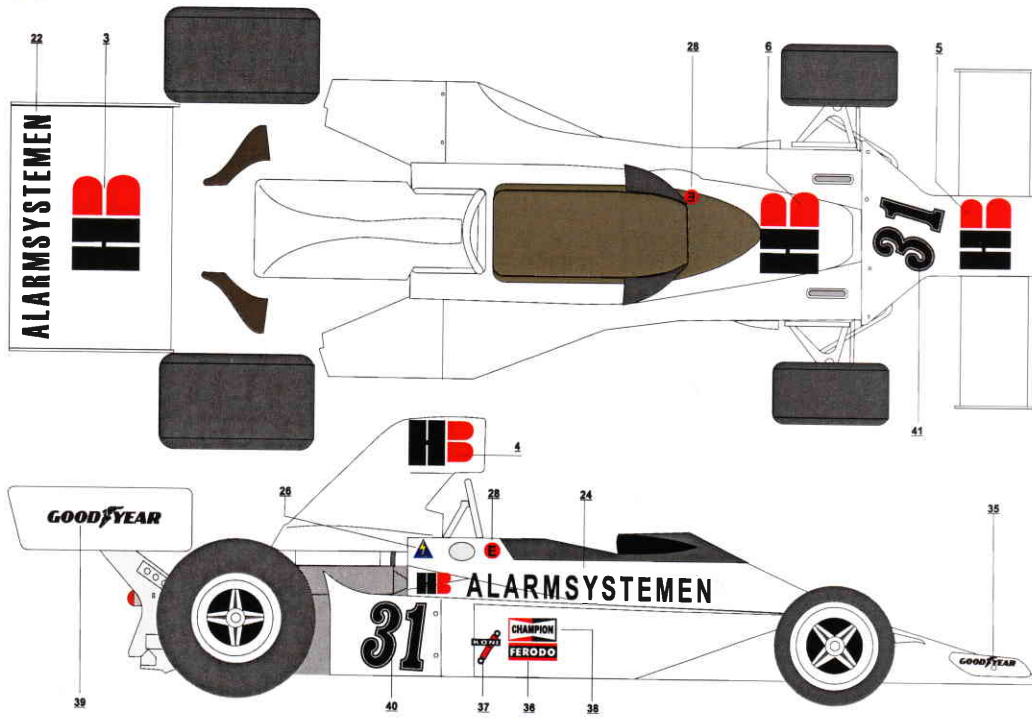


2035 Henton - 1977 Holland GP



MODELS
OrangeHouse
ONLY ORIGINAL KITS

Van Lennep- 1975 France GP



Cris Amon - 1976 Italia GP

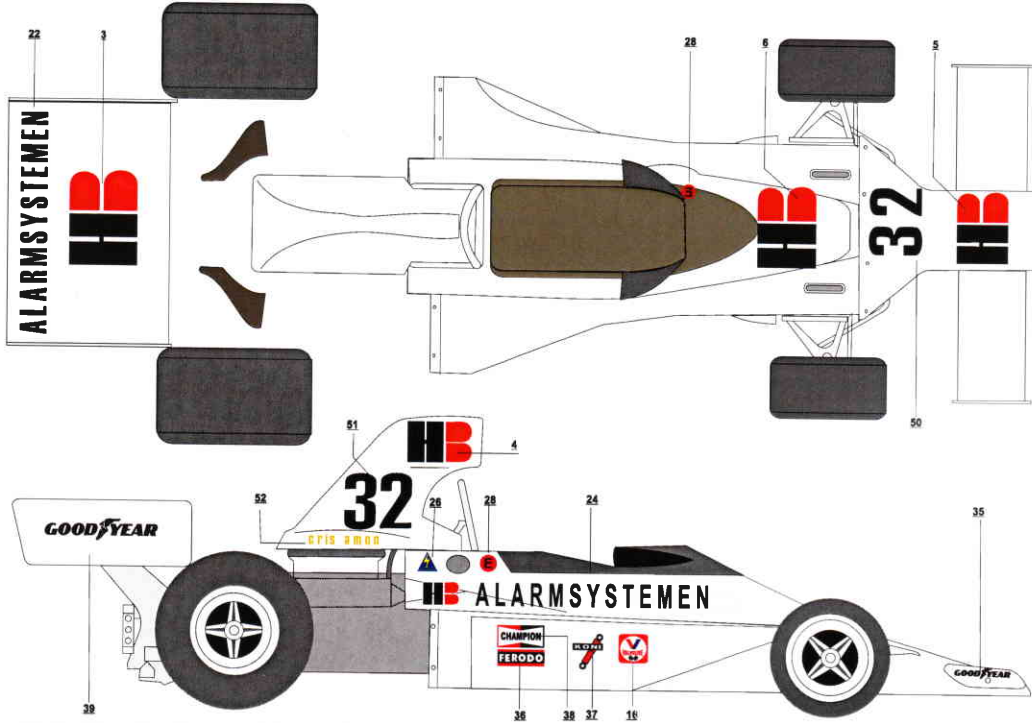
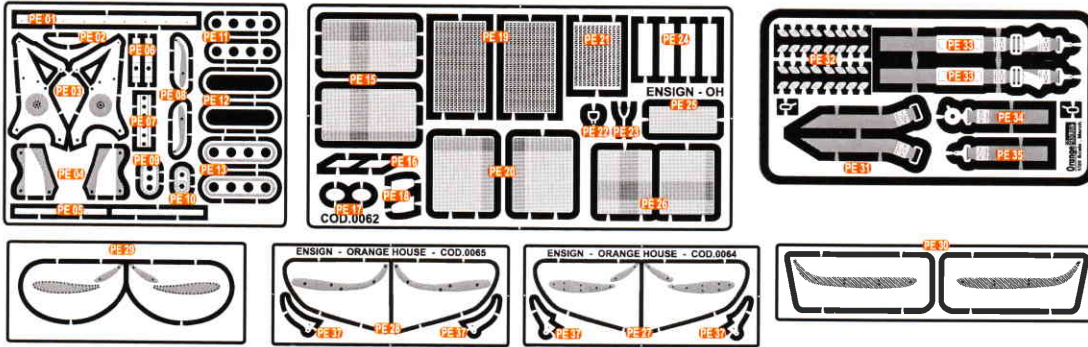
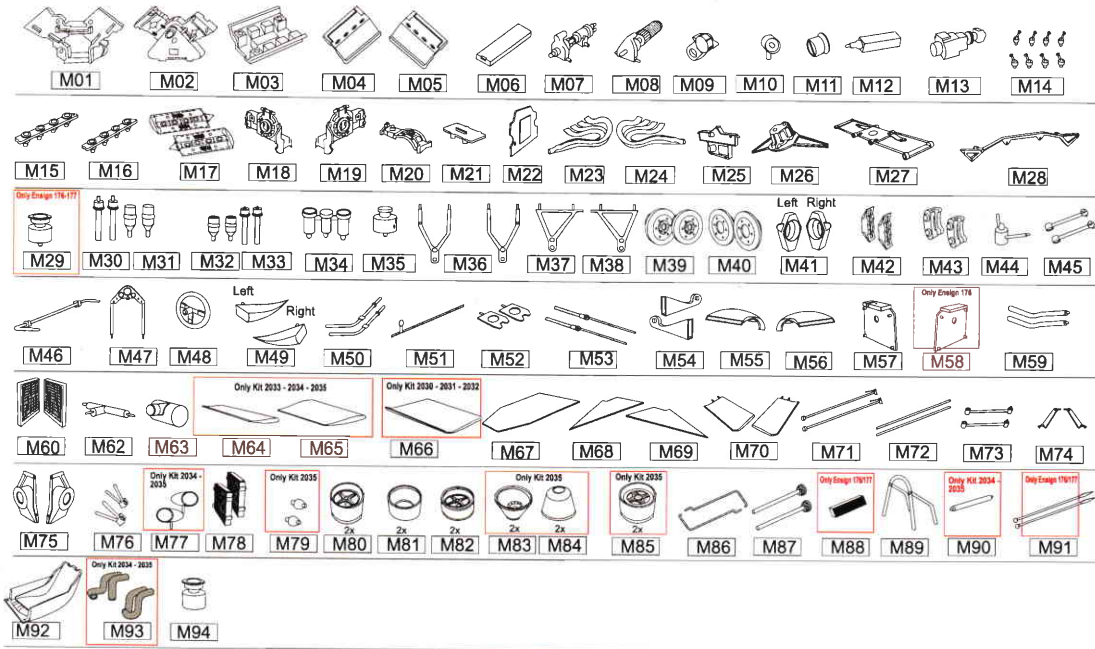


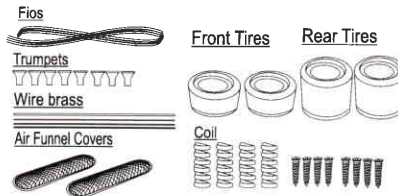
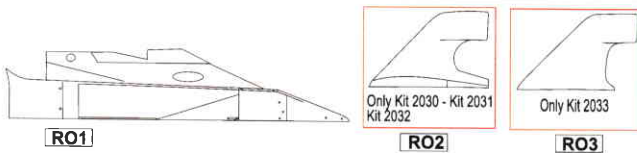
Photo Echedt



Metal Parts



Resin parts



INSTRUCTION FOR ASSEMBLY

READ BEFORE ASSEMBLY

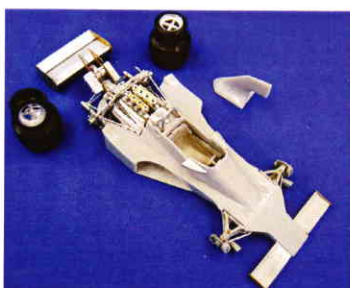
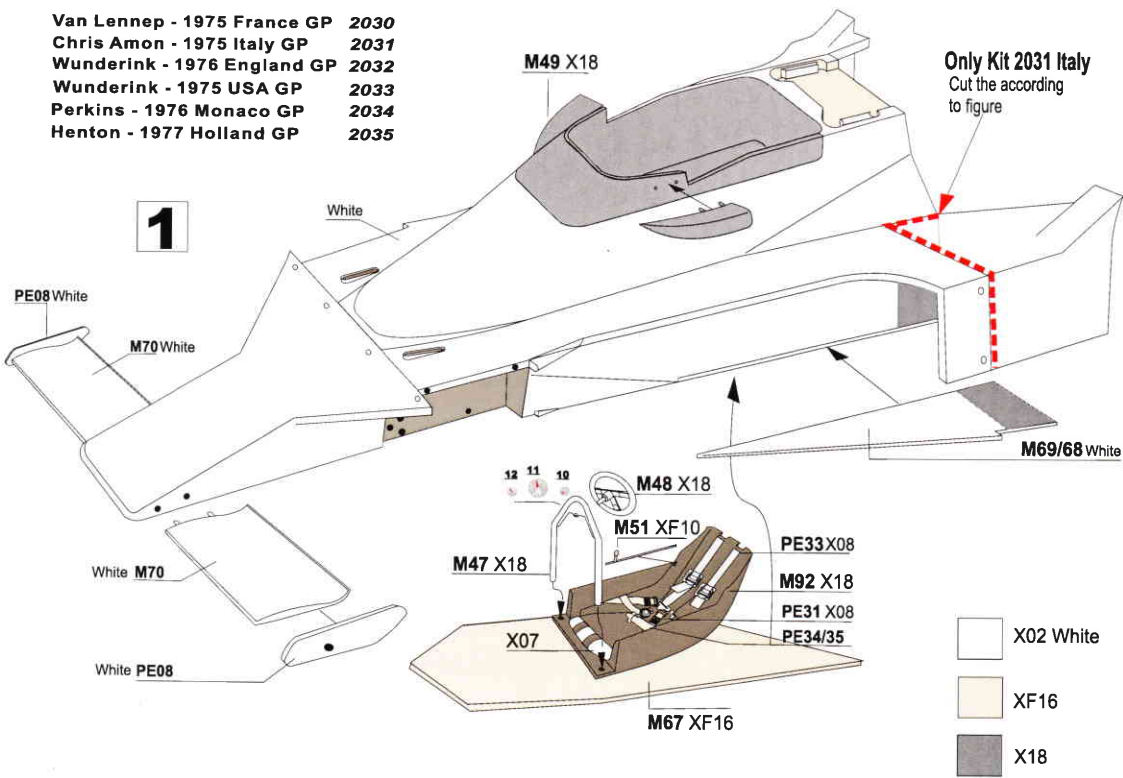
- Read carefully and fully understand the instructions before assembly.
- Keep away from small children.
- Model car for collectors .Not suitable for under 16 years old.

Tools required:

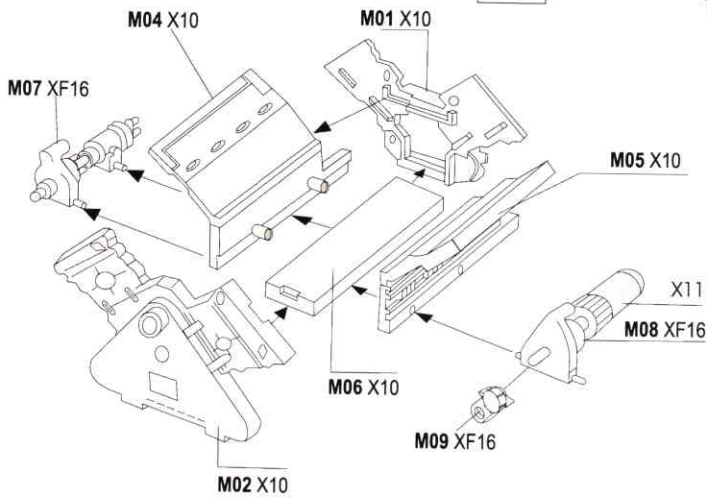
- Use ciano-acrilate cement only.
 - Use polyester putty, for remodelling and repair of resin body and parts.
- Cement, plastic scribe, pin wise, side cutter, tweezers ,Sandpaper , 0,7 mm drill, 1,0 mm drill, 1,5 mm drill and modelling Knife.

EN 175

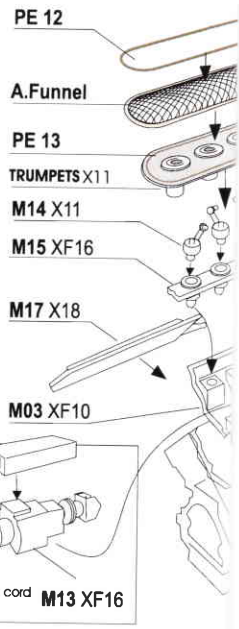
- Van Lennep - 1975 France GP 2030
- Chris Amon - 1975 Italy GP 2031
- Wunderink - 1976 England GP 2032
- Wunderink - 1975 USA GP 2033
- Perkins - 1976 Monaco GP 2034
- Henton - 1977 Holland GP 2035



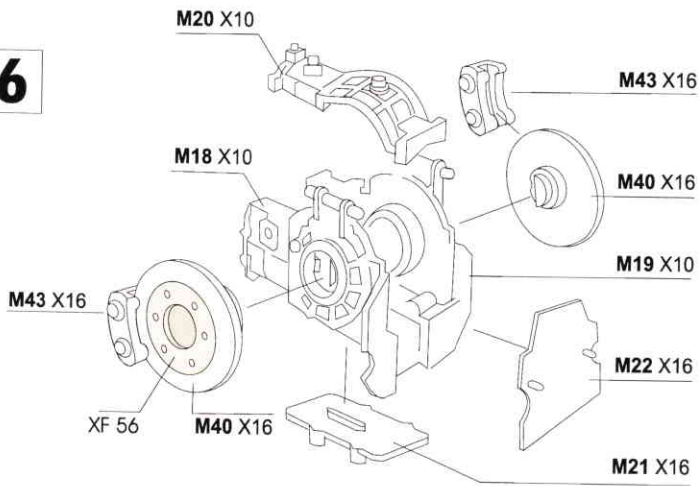
2



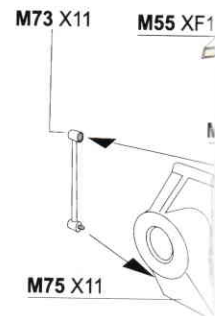
Only Kit 2034 / Monaco
and Kit 2035 / Holland



6

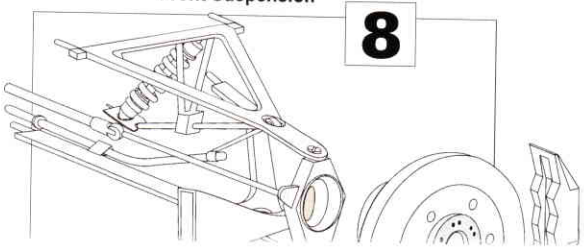


M88 X11
Only Kit 2030 / Kit 2031/
Kit 2032

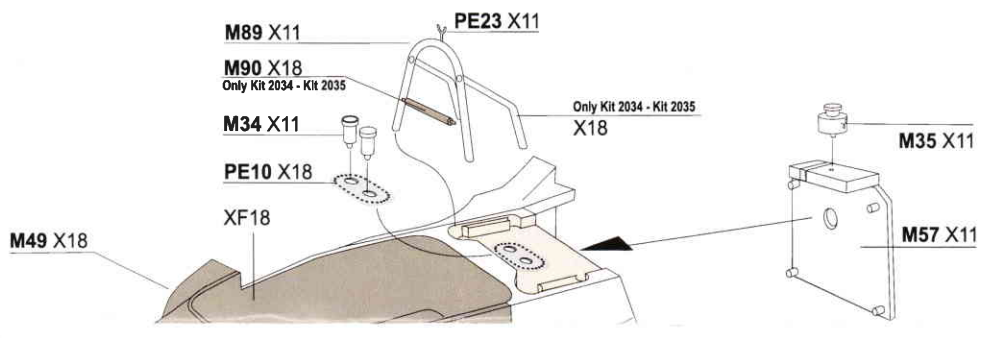
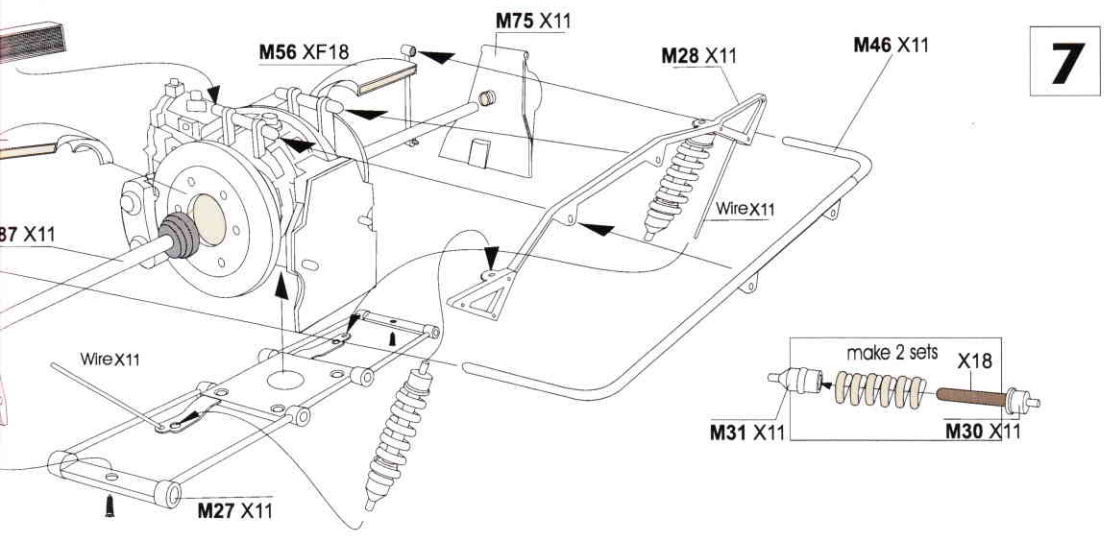
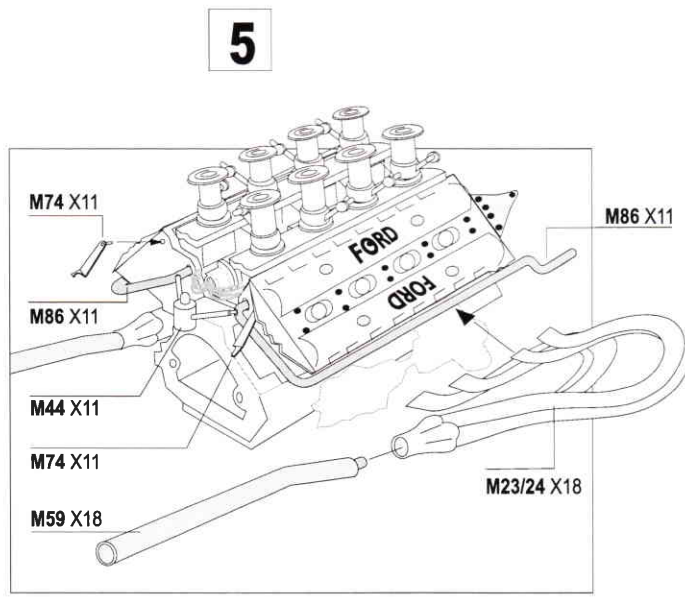
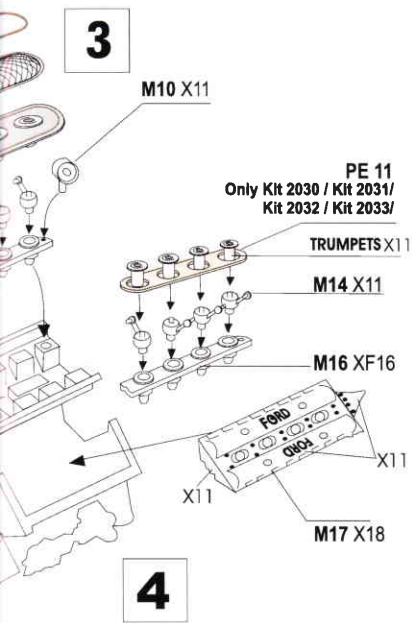


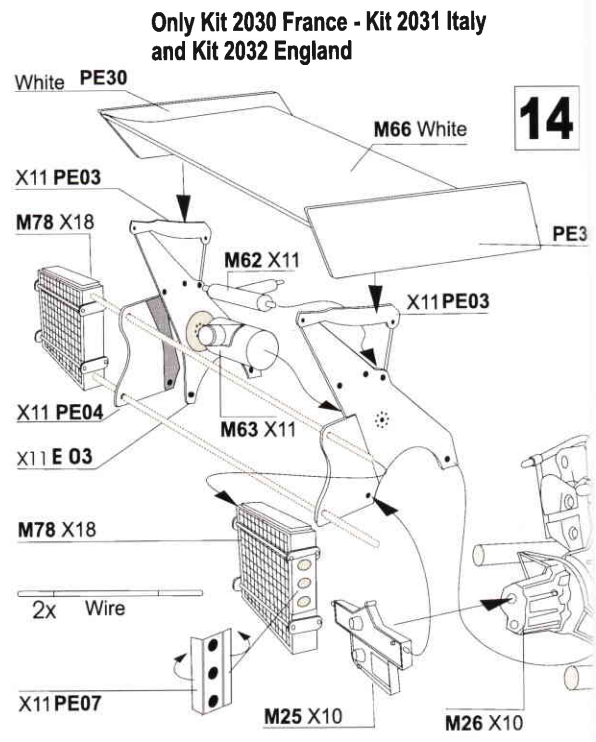
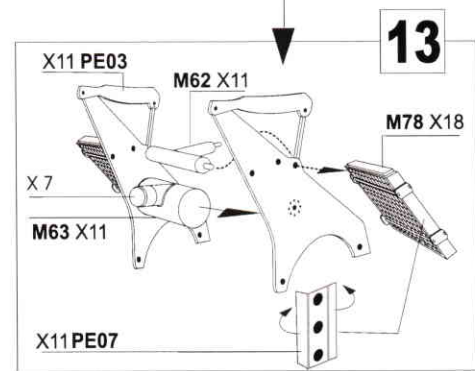
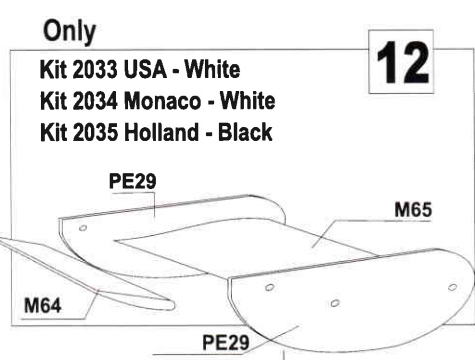
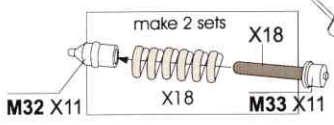
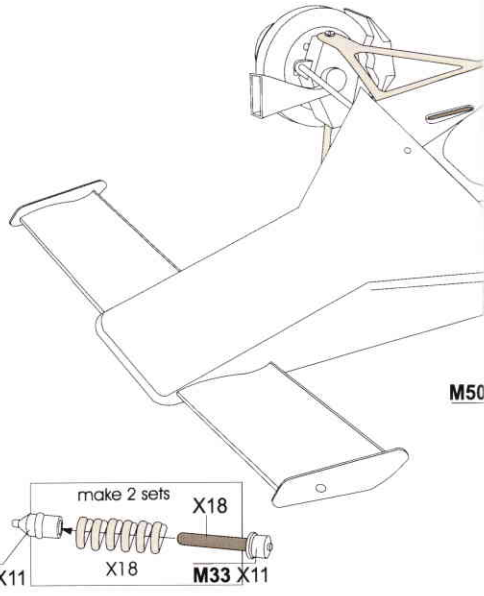
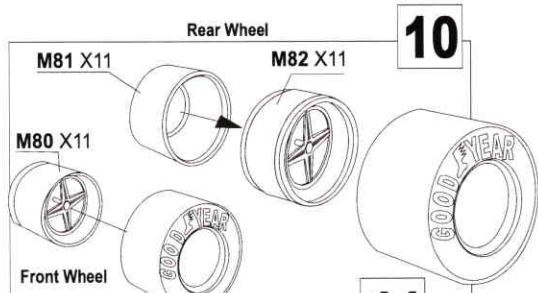
Front Suspension

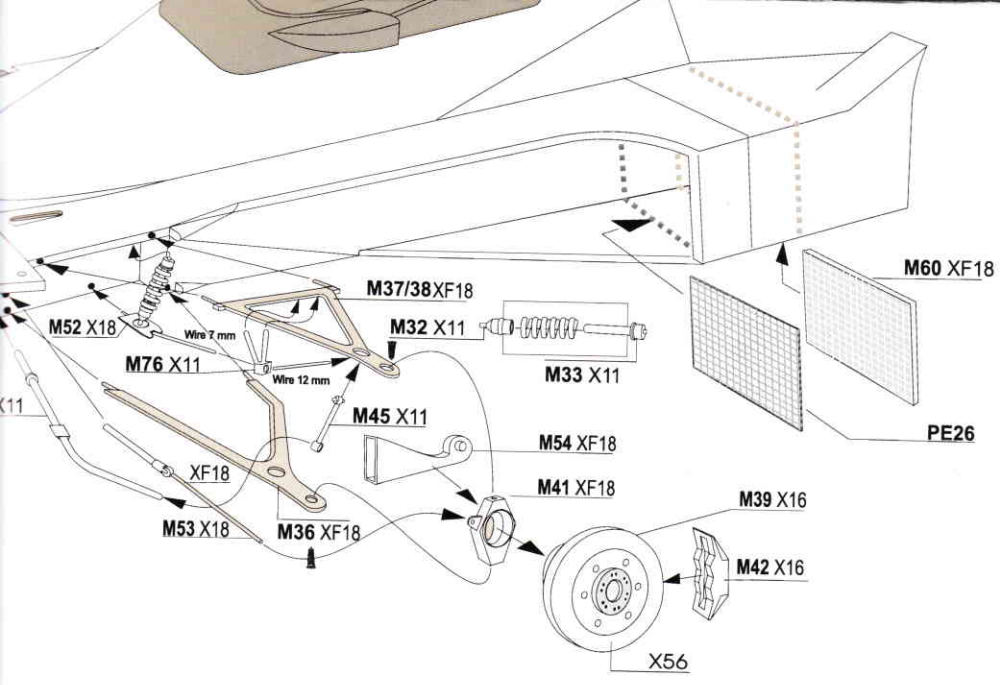
8



9

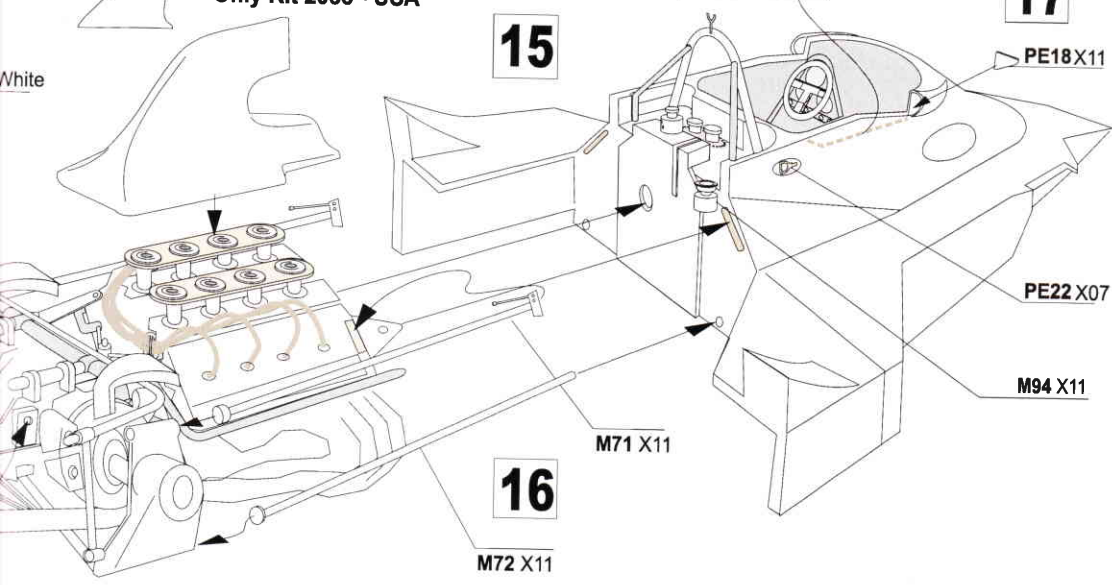






R02 X02
Only Kit 2030 France
Kity 2031 Italy - Kit 2032 England
 R02 X02
Only Kit 2033 - USA

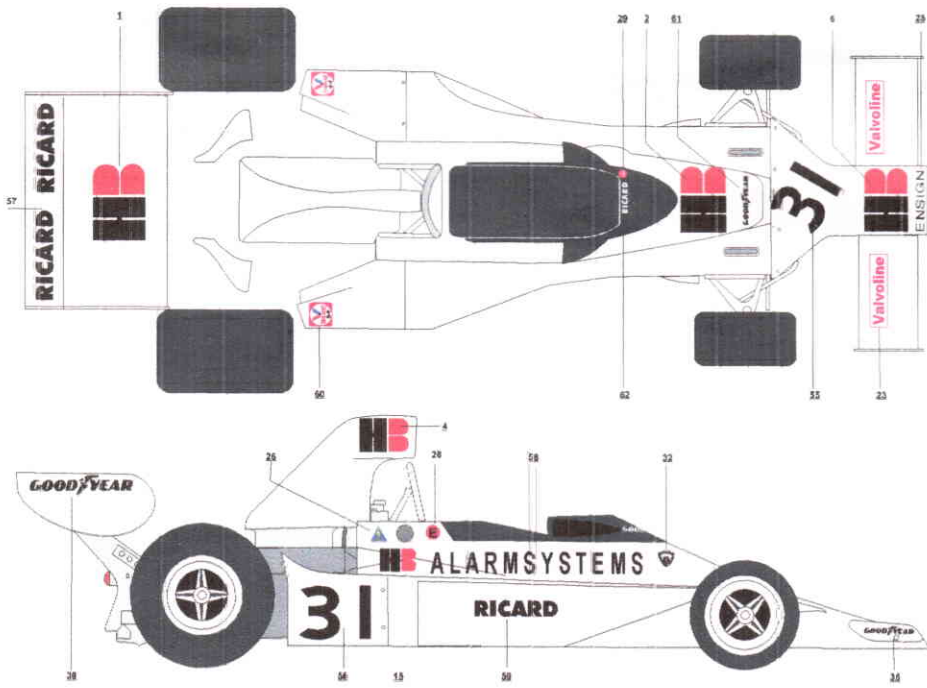
Only Kit 2034 - Kit 2035
 PE17
 M77 X11
 PE07 X11



White

Wunderink- 1975 USA GP

2033



EN 175

MODEL Orange House
ONLY ORIGINAL KITS

