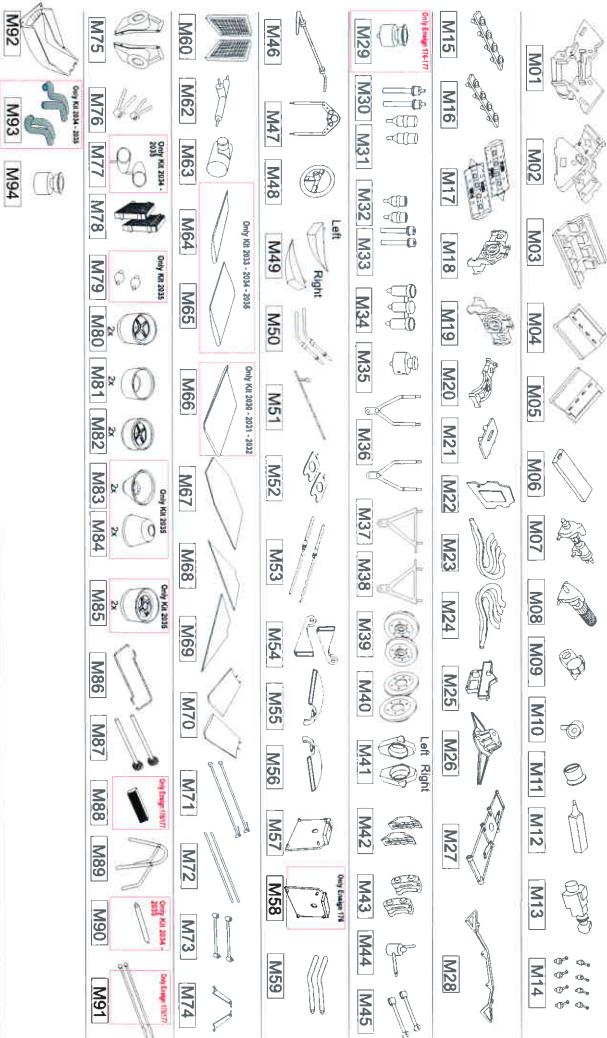
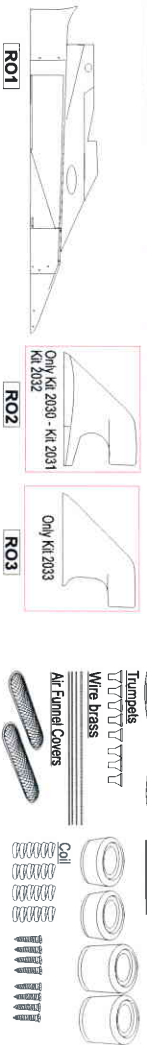


Metal Parts



Resin parts



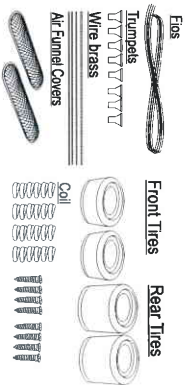
INSTRUCTION FOR ASSEMBLY

READ BEFORE ASSEMBLY

- Read carefully and fully understand the instructions before assembly.
- Keep away from small children.
- Model car for collectors .Not suitable for under 16 years old.

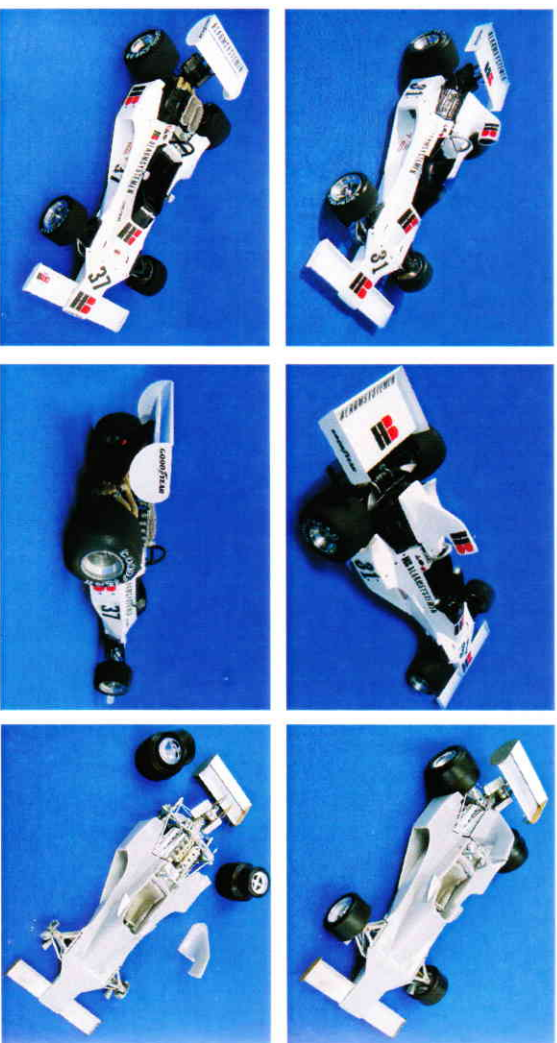
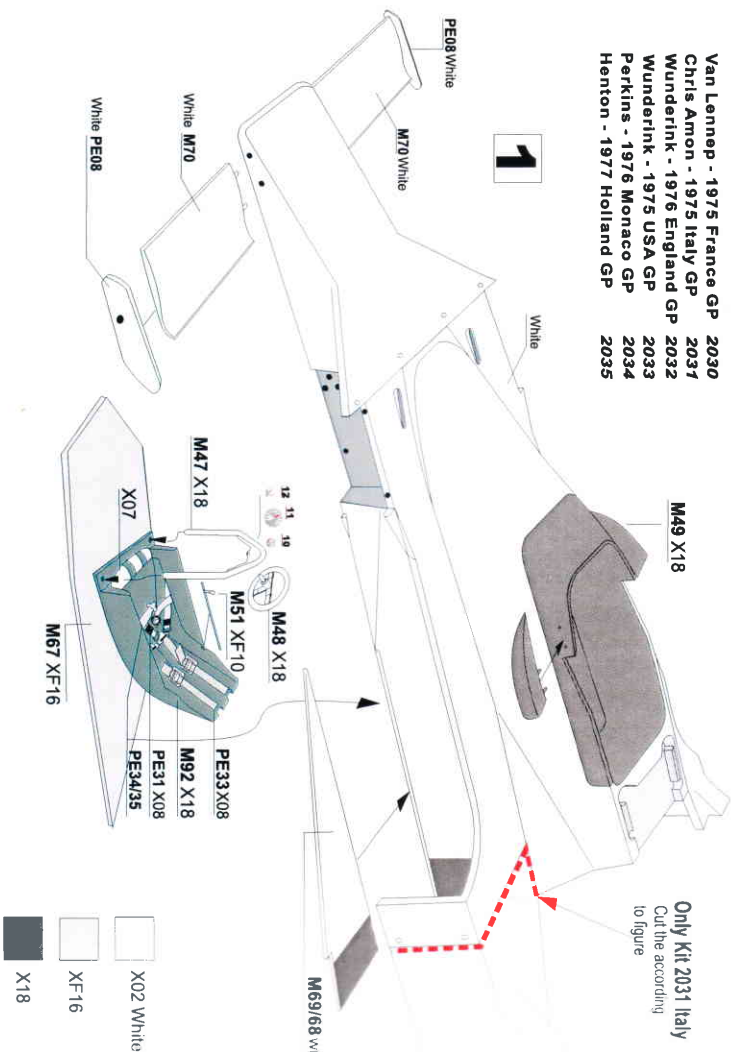
Tools required:

- Use cyano-acrylate cement only.
- Use polyester putty for remodelling and repair of resin body and parts.
- Cement, plastic scriber, pin wise, side cutter, tweezers ,Sandpaper, 0,7 mm drill, 1,0 mm drill, 1,5 mm drill and modelling Knife.

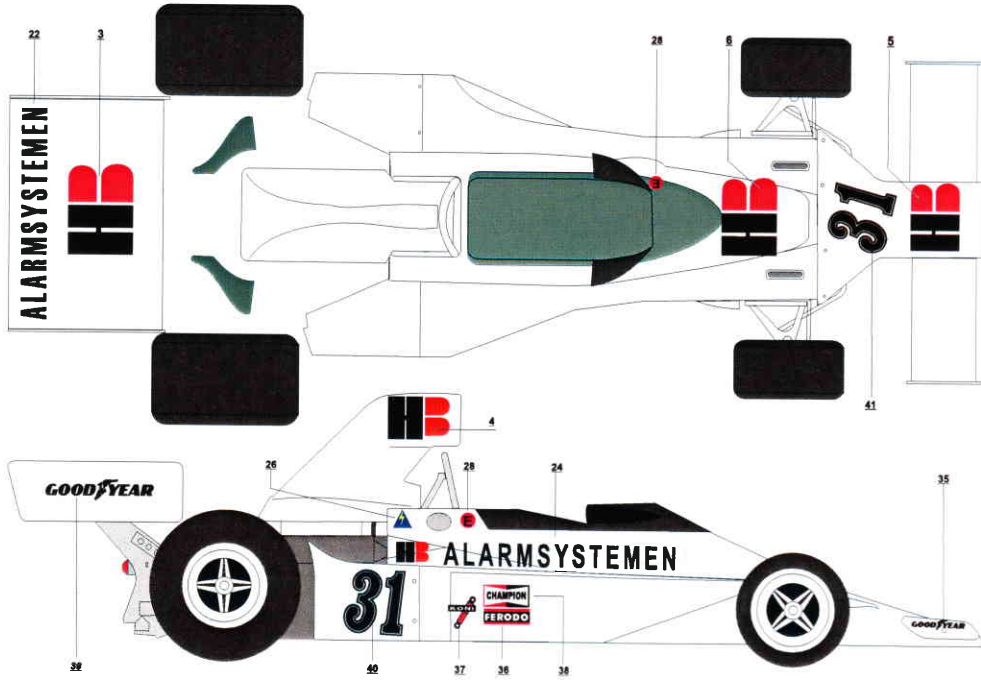


EN 1775

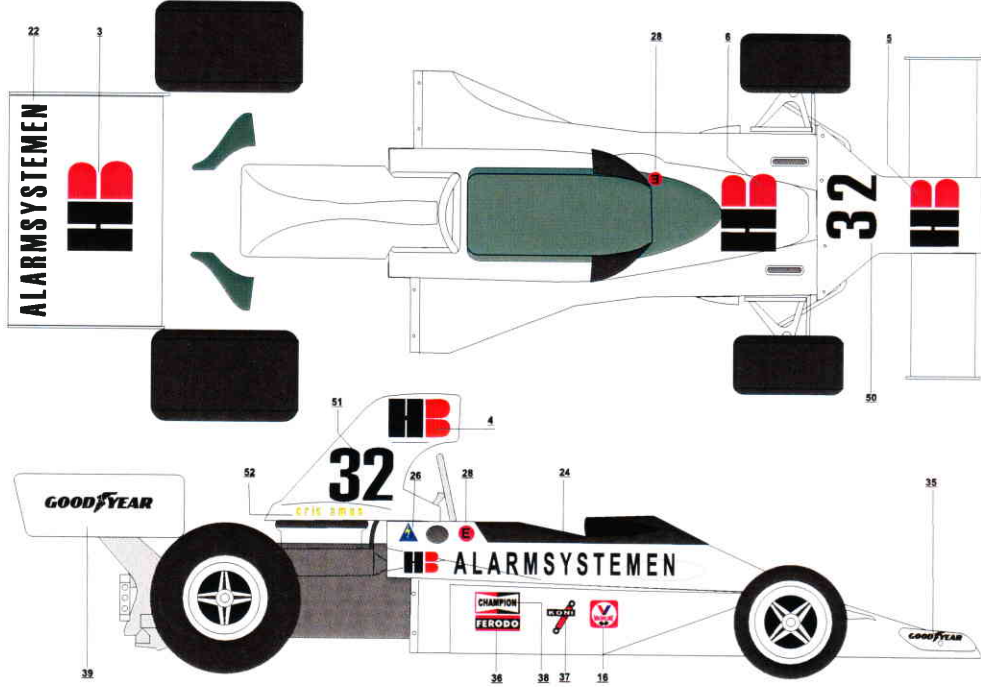
- Van Lennep - 1975 France GP 2030
- Chris Amon - 1975 Italy GP 2031
- Wunderlink - 1976 England GP 2032
- Wunderlink - 1975 USA GP 2033
- Perkins - 1976 Monaco GP 2034
- Henton - 1977 Holland GP 2035



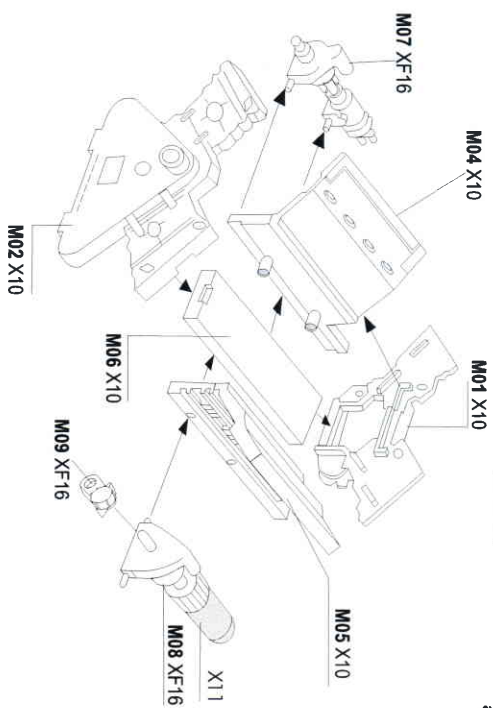
Van Lennep- 1975 France GP



Cris Amon - 1976 Italia GP

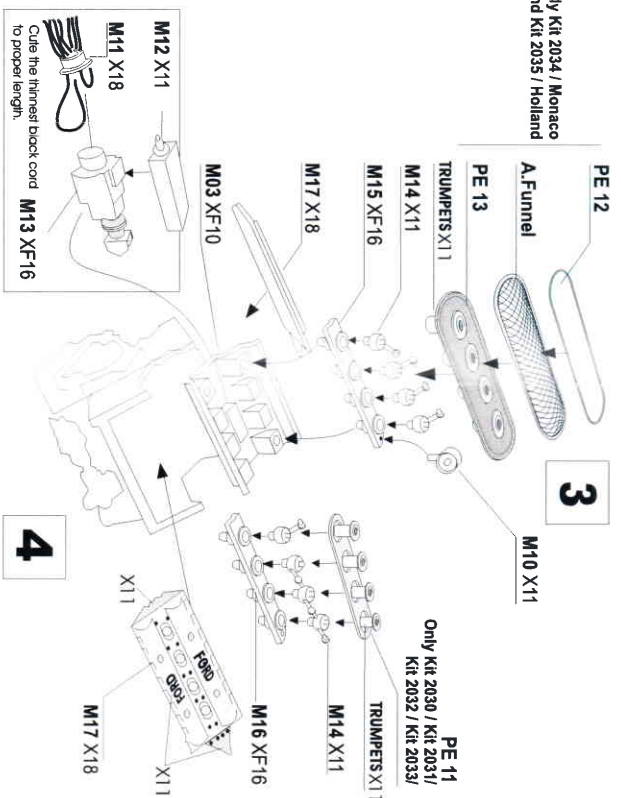


2



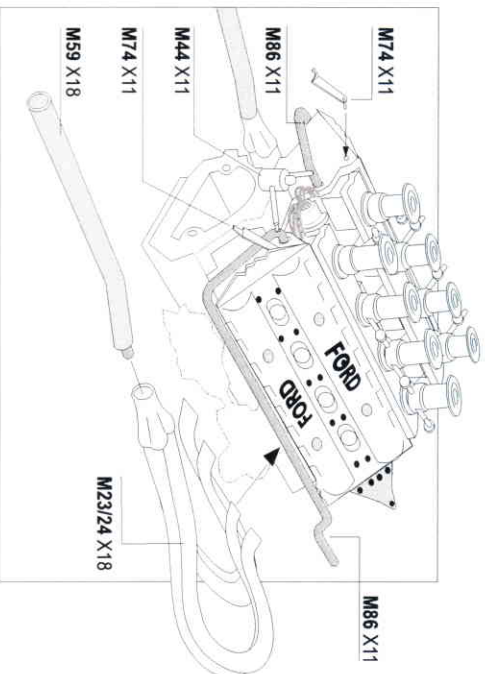
Only Kit 2034 / Monaco and Kit 2035 / Holland

3

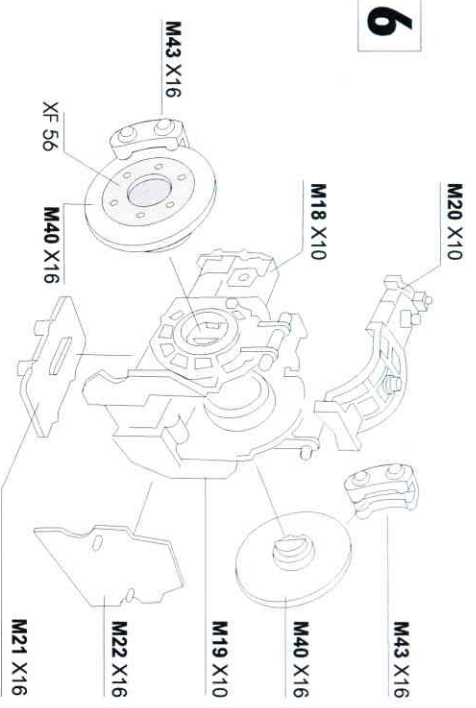


Only Kit 2030 / Kit 2031 / Kit 2032 / Kit 2033/

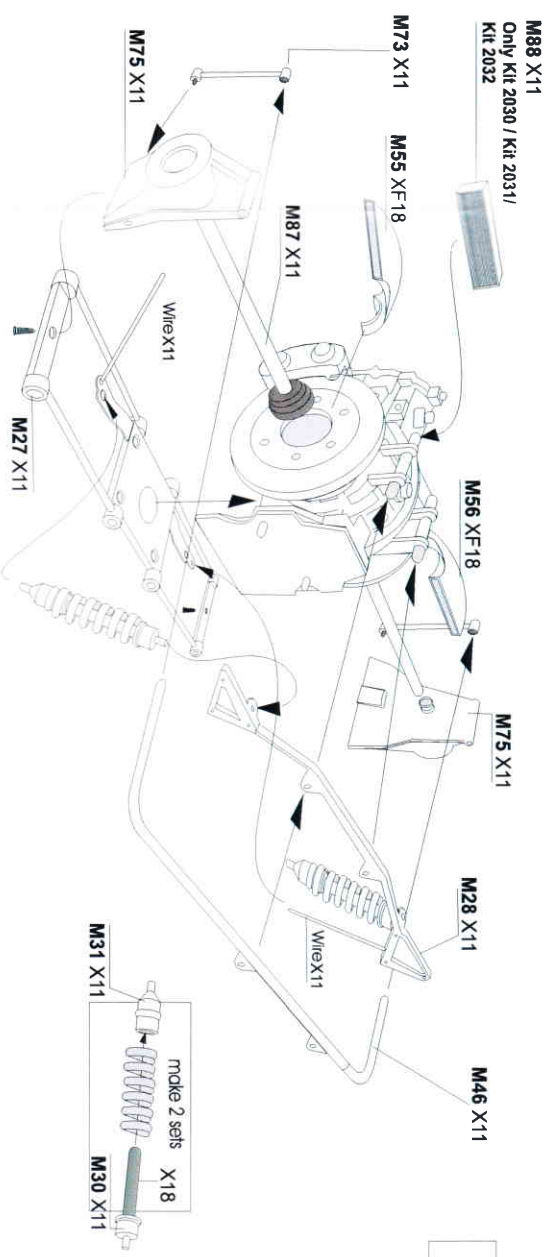
5



6

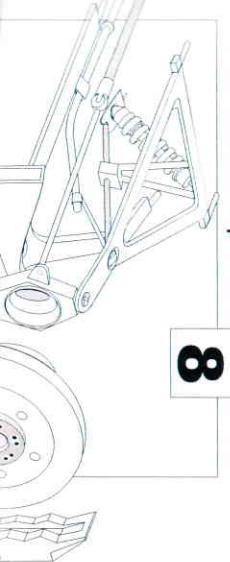


7

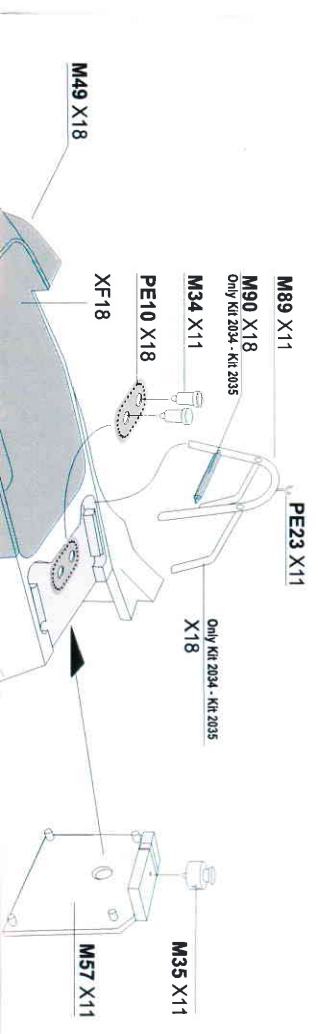


Front Suspension

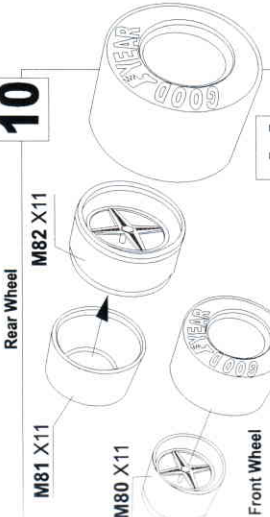
8



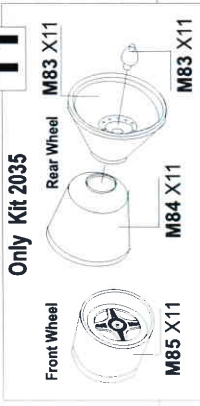
9



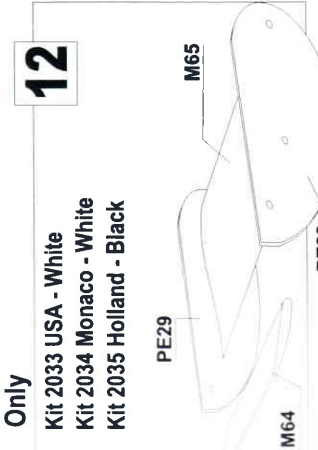
**10**



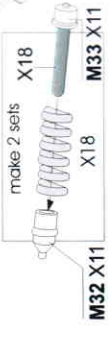
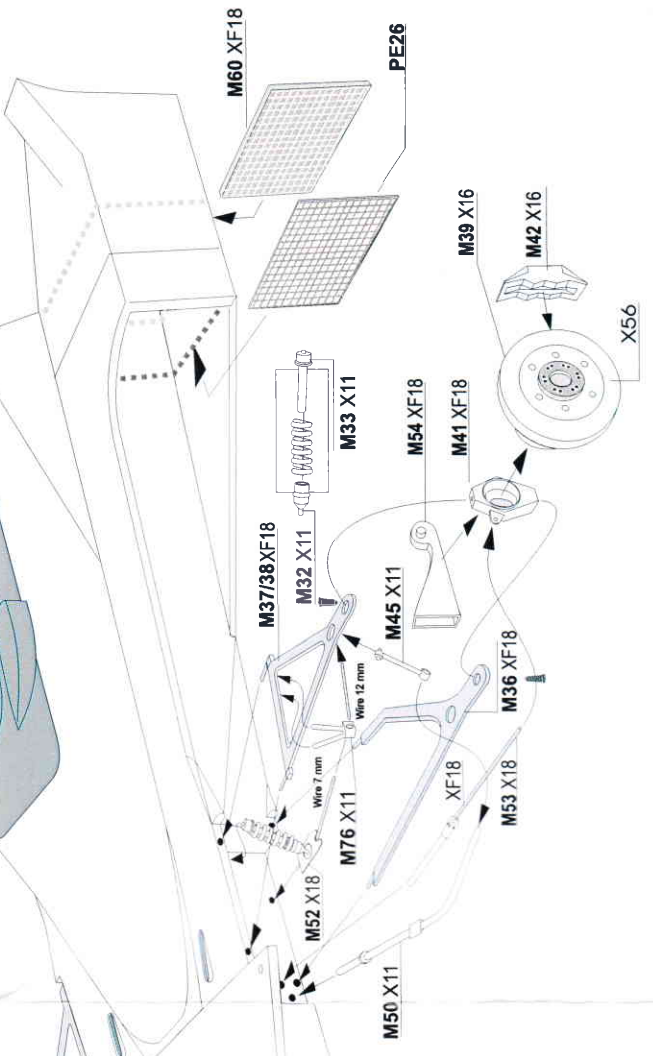
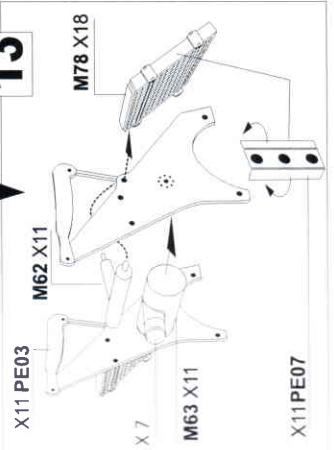
**11**



**12**

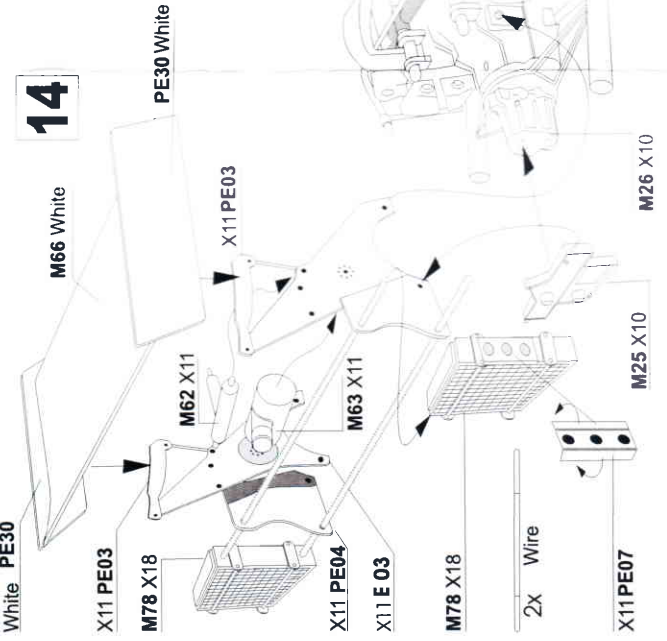


**13**



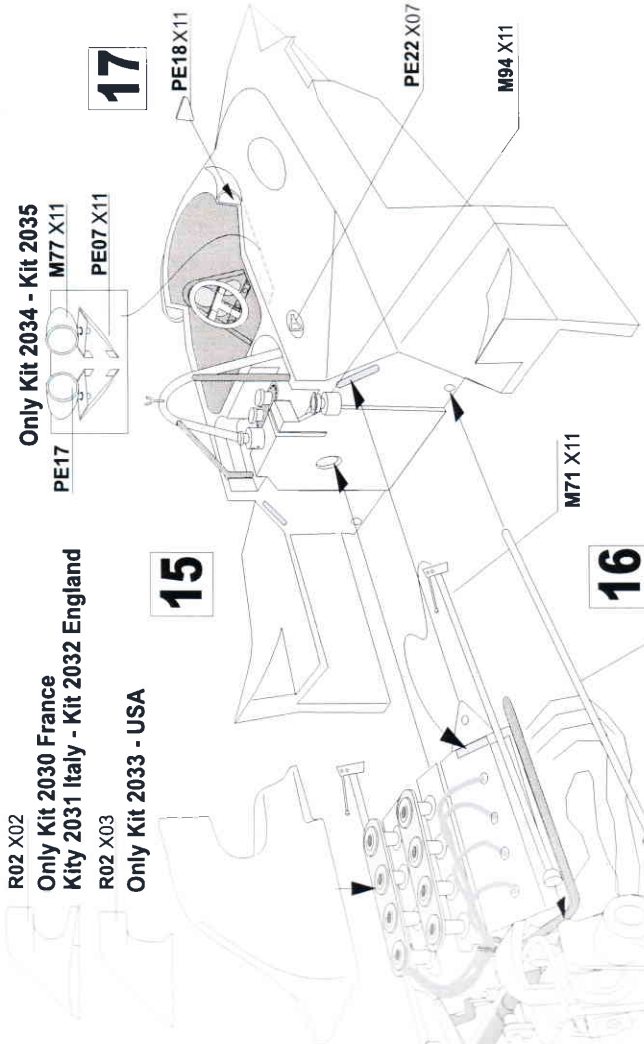
Only Kit 2030 France - Kit 2031 Italy and Kit 2032 England

**14**



R02 X02  
Only Kit 2030 France  
Kity 2031 Italy - Kit 2032 England  
R02 X03  
Only Kit 2033 - USA

**15**



**16**

M72 X11