

1/120 Shadow DN9B - 1979 Brazil GP (Jan Lammers)

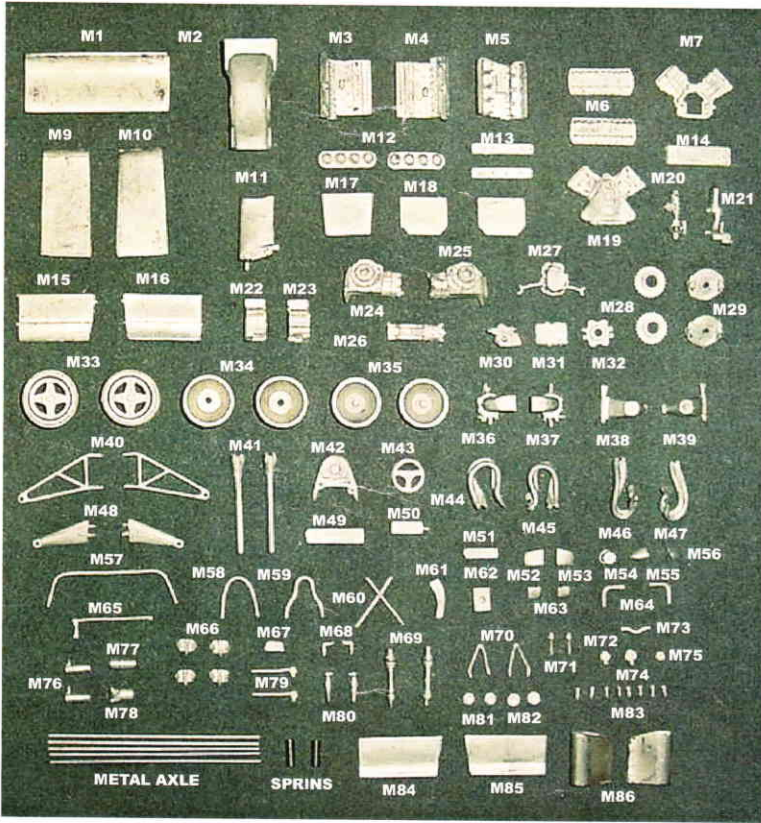
ACE
MODELS
20012

DN9B

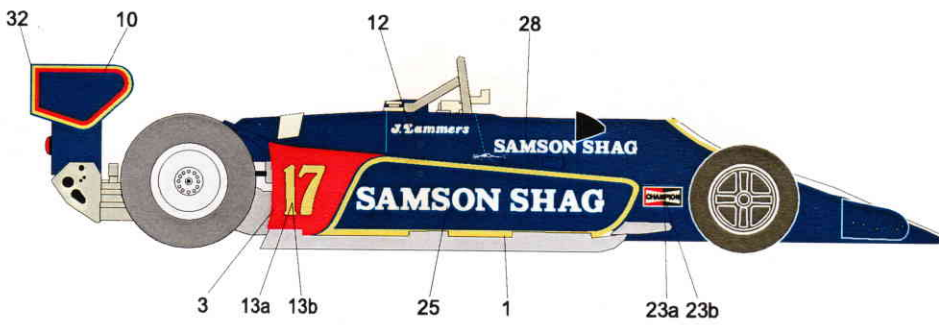
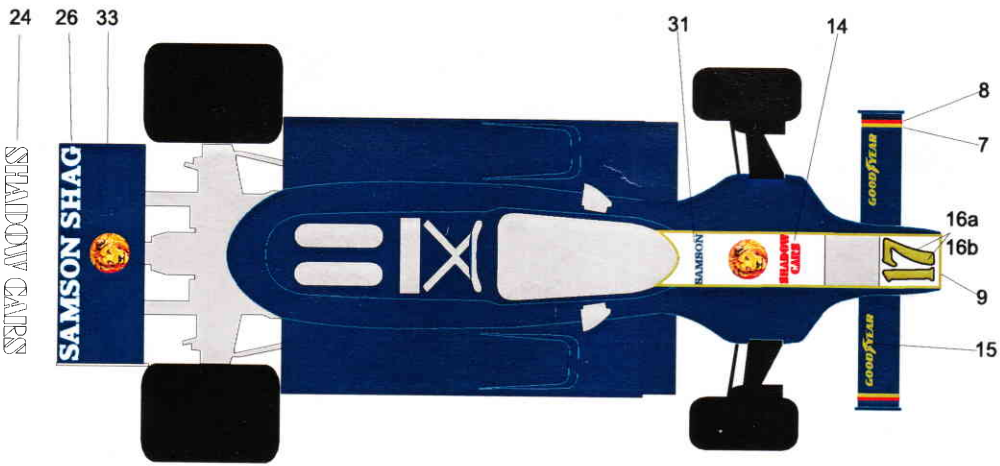


Model built by Alessandro Ribeiro

Metal parts



Decals placement



INSTRUCTIONS FOR ASSEMBLY

READ BEFORE ASSEMBLY

- Read carefully and fully understand the instructions before assembly
- Keep away from small children.
- Model car for collectors .Not suitable for under 16 years old.
- Cement and paints not included in the kit.
- Use ciano-acrilate cement only.
- Use polyester putty, for remodelling and repair of resin body and parts.

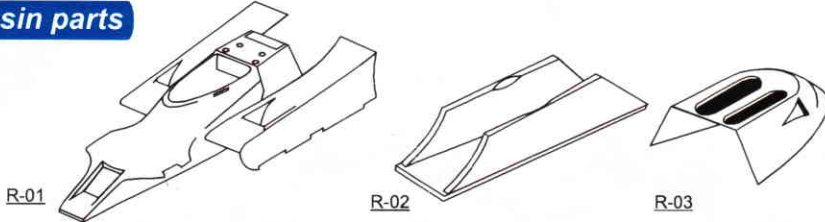
Tools required:

CA or Epoxy Cement, plastic scribe, side cutter, tweezzer and modelling knife

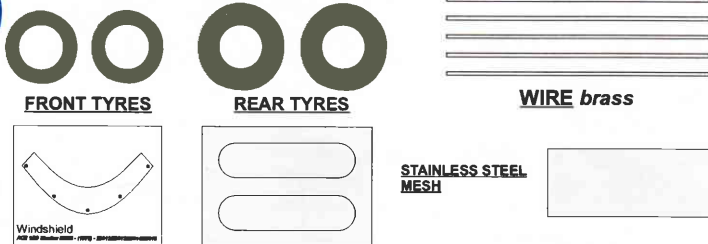
Paint Guide

TS 26	X7	XF 1
TS 55	X10	XF 2
	X11	XF 10
	X18	XF 16
	X23	XF 56

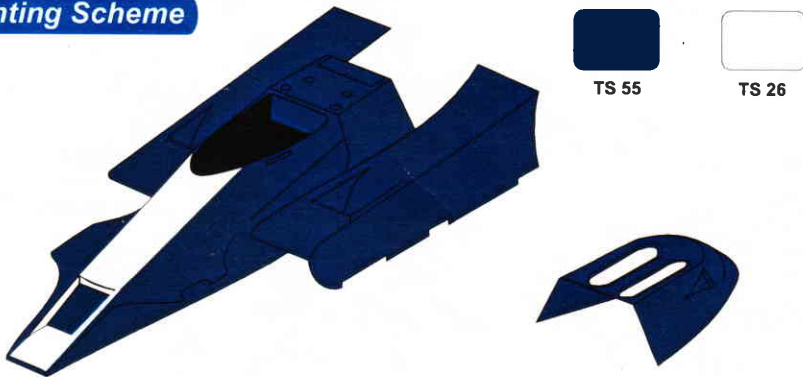
Resin parts

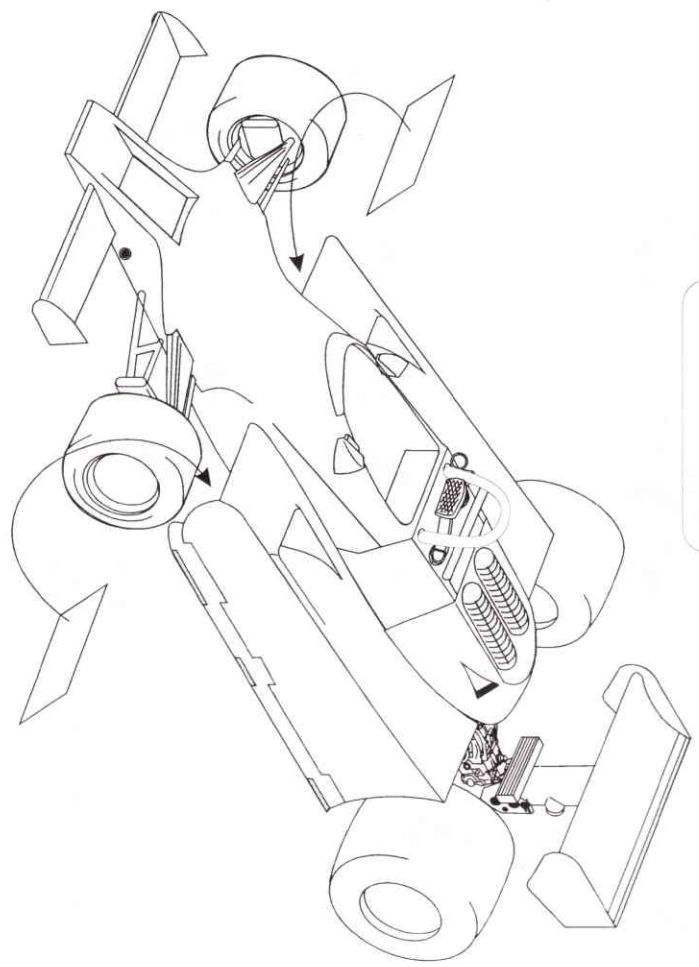
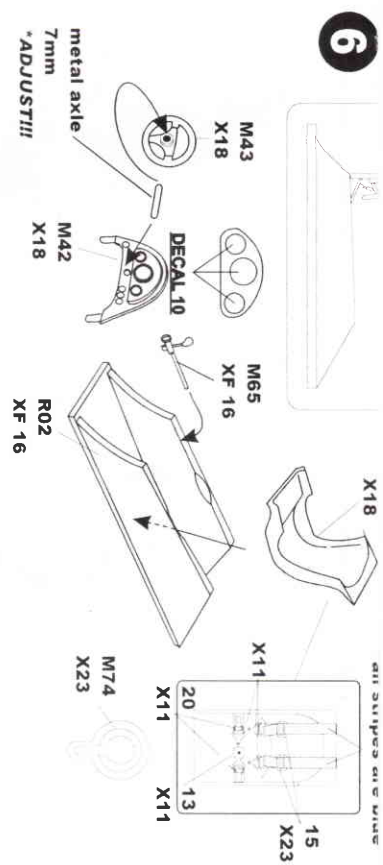
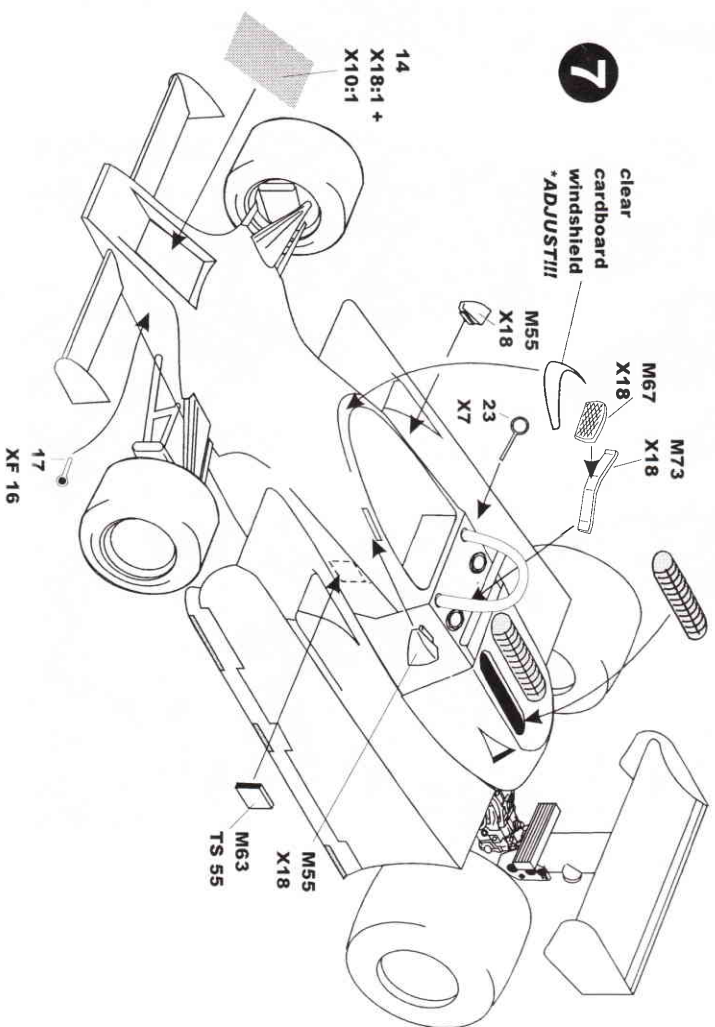
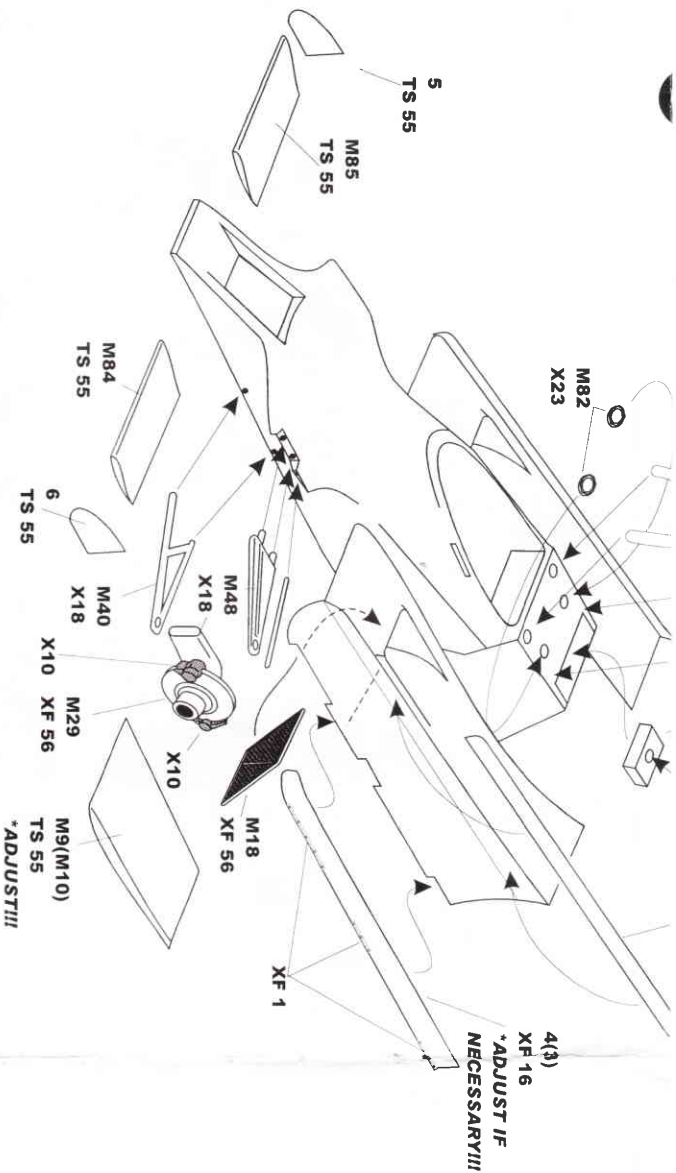


Other parts



Painting Scheme





all stripes are blue