

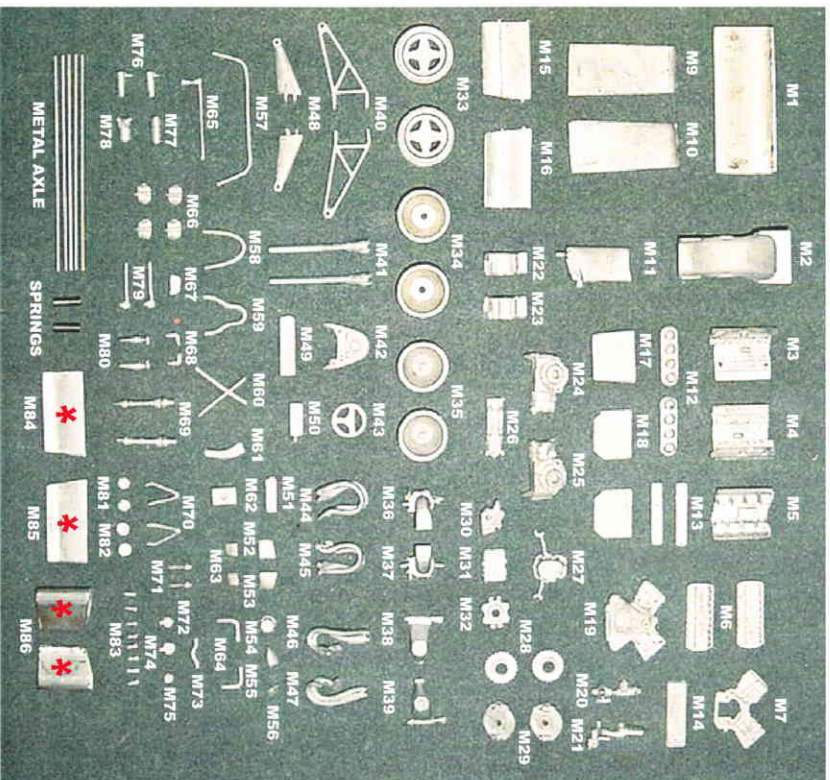
1/20 Shadow DN9B - 1979 USA (Long Beach) GP (Jan Lammers)

ACE
MODELS
20014

DN9B



Model built by Alessandro Ribeiro



*PARTS NOT USED IN THIS VERSION



INSTRUCTIONS FOR ASSEMBLY

READ BEFORE ASSEMBLY

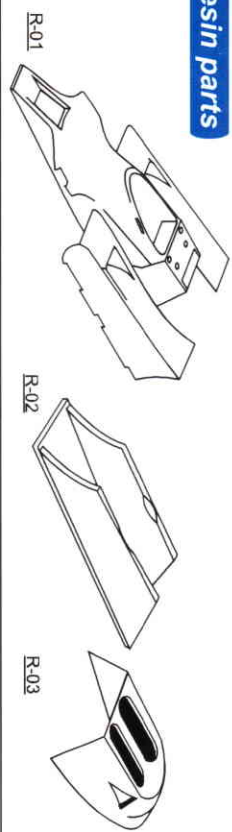
- Read carefully and fully understand the instructions before assembly
- Keep away from small children.
- Model car for collectors. Not suitable for under 16 years old.
- Cement and paints not included in the kit.
- Use clano-scriclate cement only.
- Use polyester putty, for remodelling and repair of resin body and parts.

Tools required:

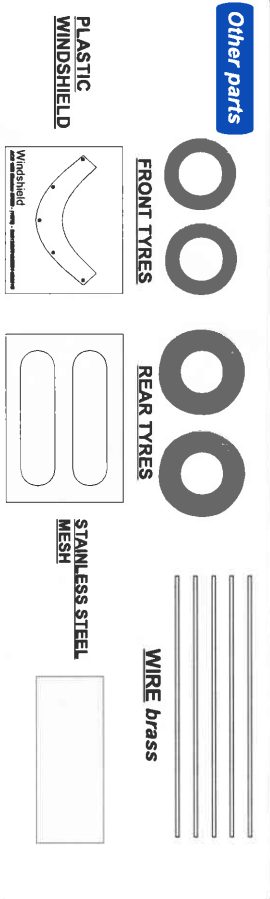
CA or Epoxy Cement, plastic scissor, side cutter, tweezers and modelling knife

Paint Guide	
TS 26	X7
TS 55	X10
	X11
	X18
	X23
	XF 1
	XF 2
	XF 10
	XF 16
	XF 56

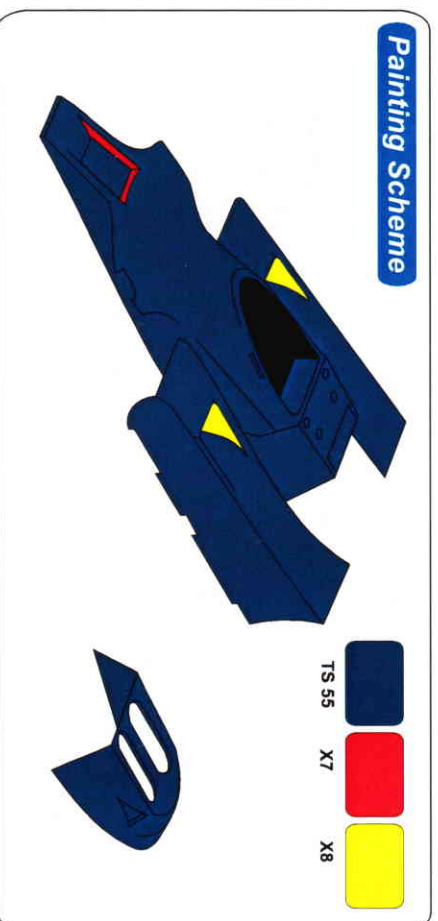
Resin parts



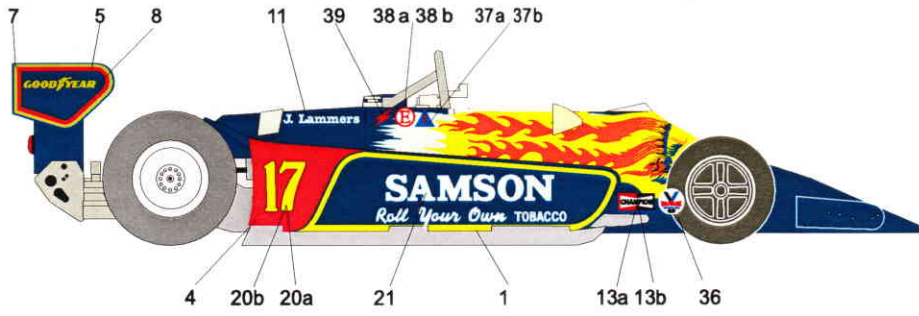
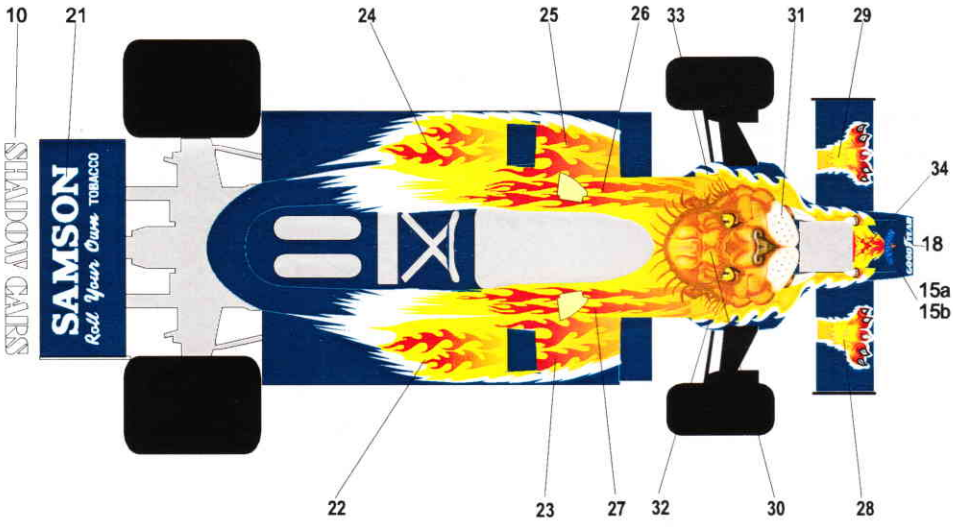
Other parts



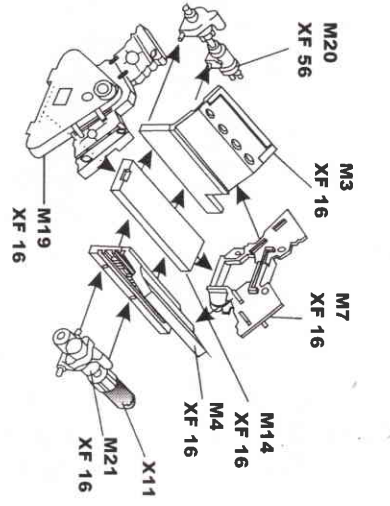
Painting Scheme



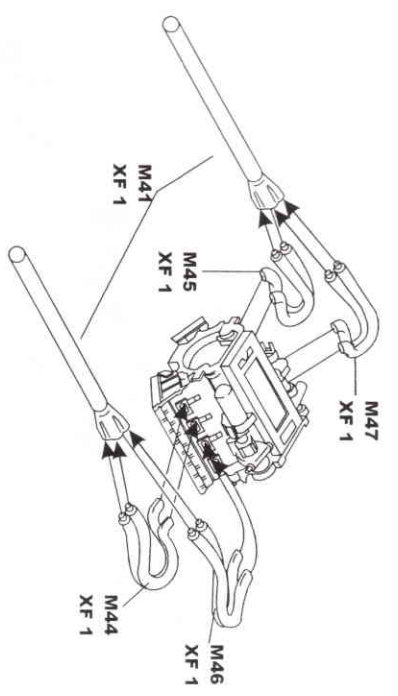
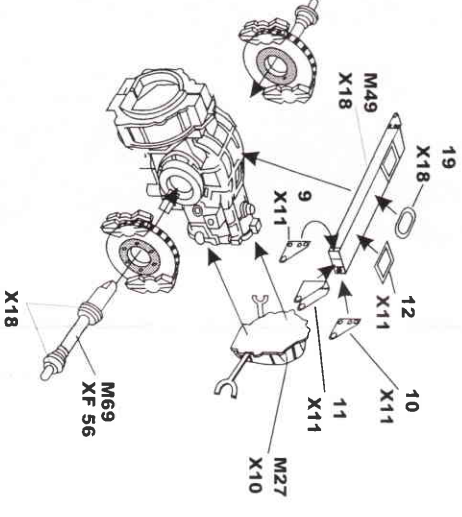
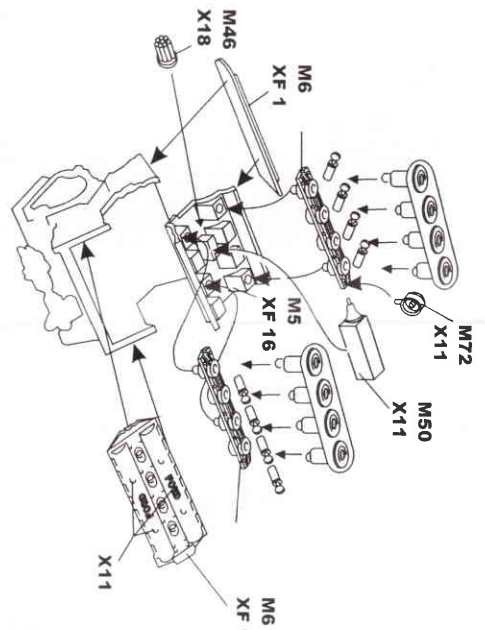
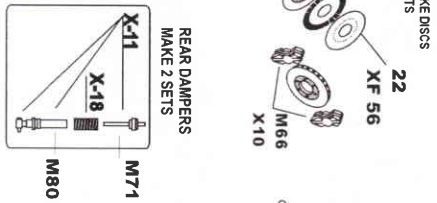
Decals placement



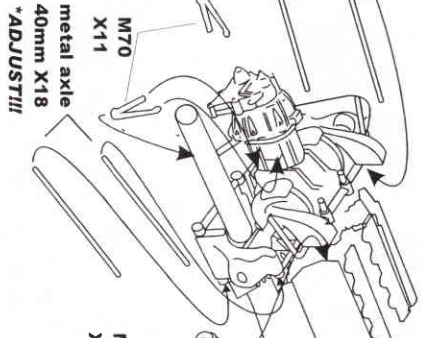
1



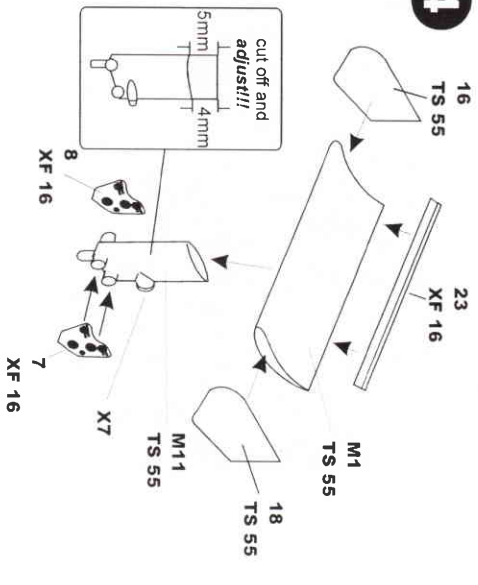
2



3



4



F

2(1)
TS 55
ADJUST IF
NECESSARY!!!

