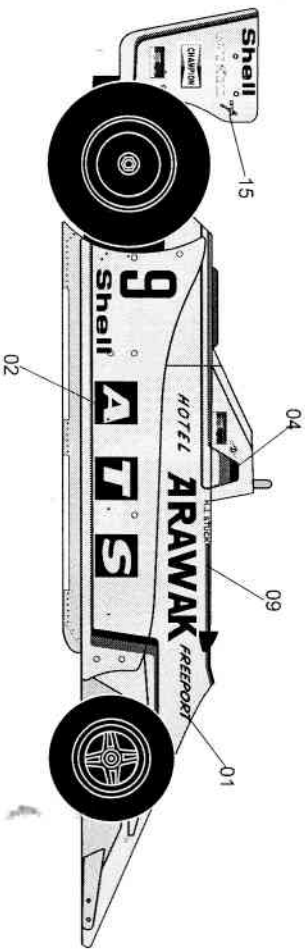
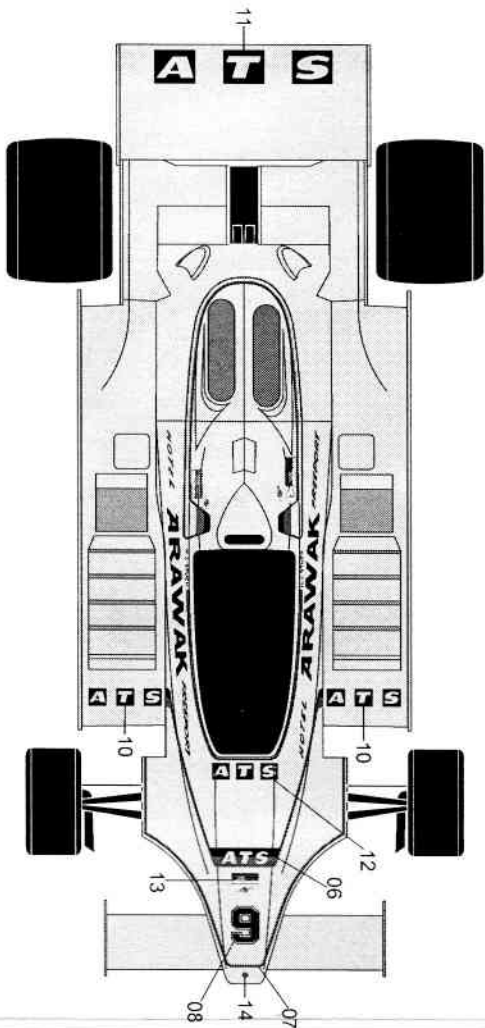
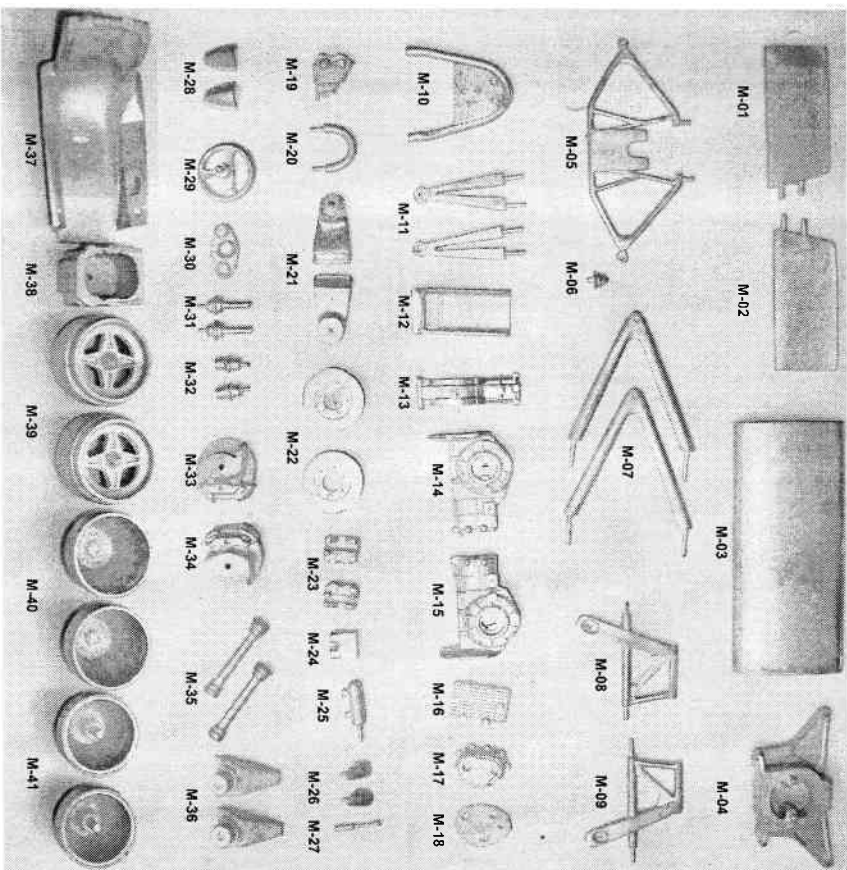


Decal placement



Read before assembly

- Read carefully and fully understand the instructions before assembly.
- Keep away from small children.
- Model car for collectors. Not suitable for modellers under 14 years old.
- Use car's scratch cement only.
- Use polyester putty for remodelling and repair of resin body and parts.
- Cement and putty are included in the kit.
- Tools required: cement, plastic scribe, side cutter, tweezers and modelling knife.



- AIR FUNNEL COVERS steel x2 Resin parts x 2
- SPRINGS steel x 2
- SCREEN steel x 2
- SCREEN steel x 14
- WIRE brass
- TRUMPETS aluminium x 8
- WIRE aluminium

