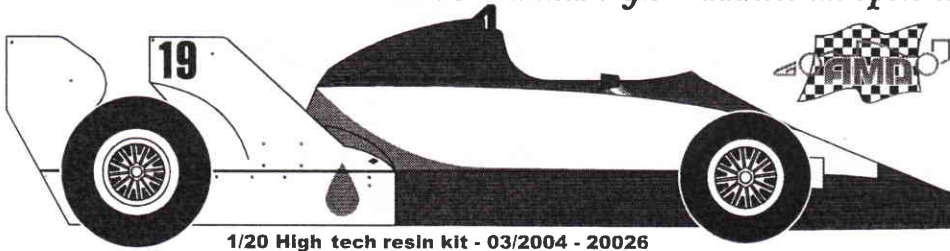


TG183B

1984 Brazilian GP + additional options



1/20 High tech resin kit - 03/2004 - 20026

**Read before
assembly**

* Read carefully and fully understand the instructions before assembly..

* Keep away from small children.

* Model car for collectors. Not suitable for modellers under 14 years old.

* Cement and paints not included in the kit.

* Use ciano-acrilate cement only.

* Use polyester putty, for remodelling and repair of resin body and parts.

* **Tools required:** cement, plastic scribe, side cutter, tweezers and modelling knife.

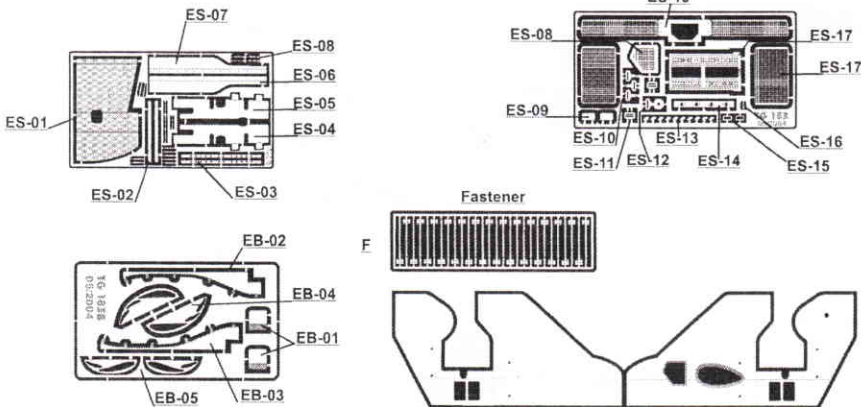
* **Paints required:**

X-2 / white
X-3 / royal blue
X-7 / red
X-11 / chrome silver
X-12 / gold leaf
X-18 / semi gloss black
X-23 / clear blue
X-27 / clear red
XF-1 / flat black
XF-16 / flat aluminum
XF-6 / copper

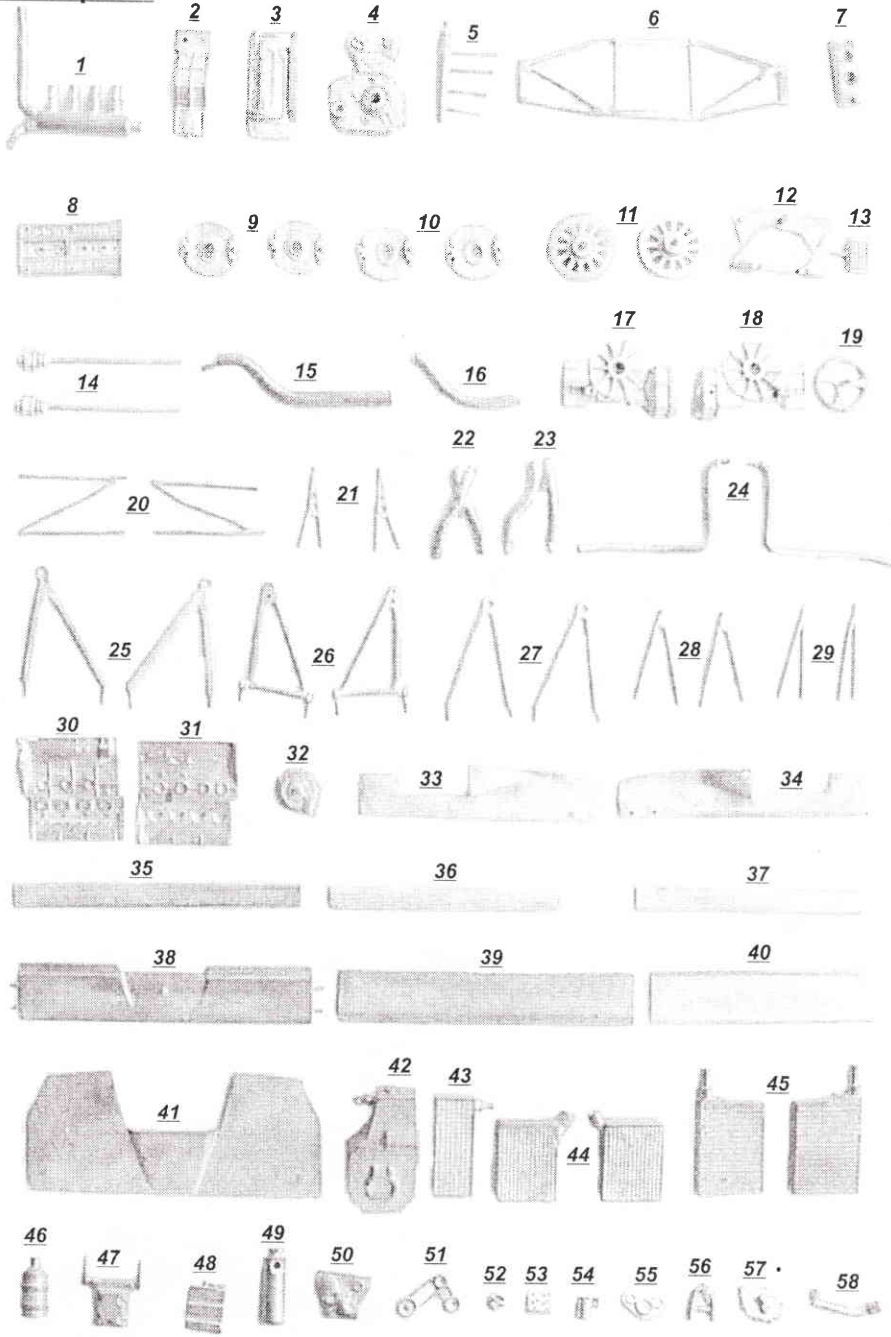
For more reference material, please visit our website at www.amdmodels.net

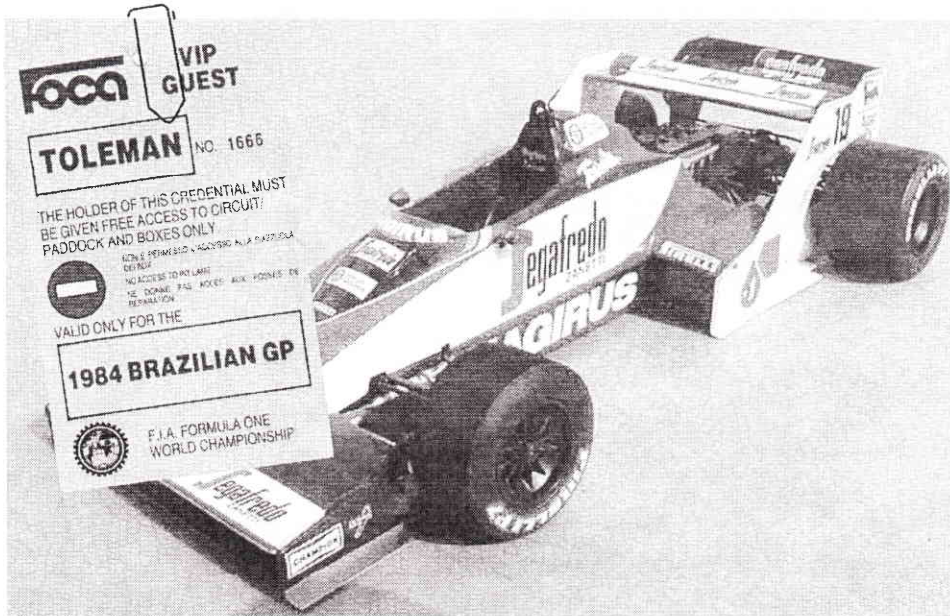
Photo-etched

"Sand steel photo etched parts fixed on the plate before assembly"



Metal parts





WIRE aluminum _____ **ALUMINUM** blade _____

WIRE brass _____

HANDLE nylon **HANDLE** black _____

REAR TYRES x2 _____ **VACUUM FORM** _____

SCREW steel x8 _____ **PIPE** black _____

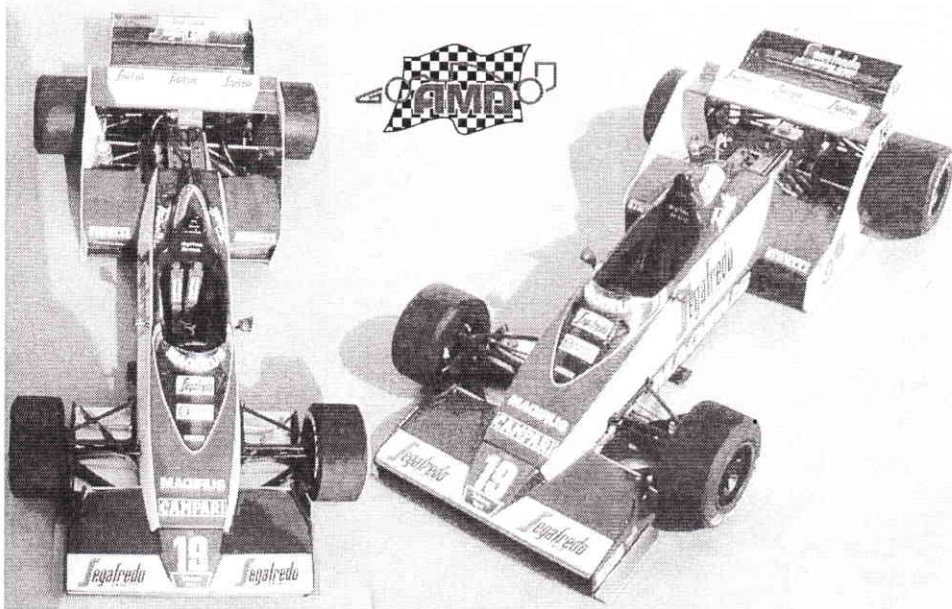
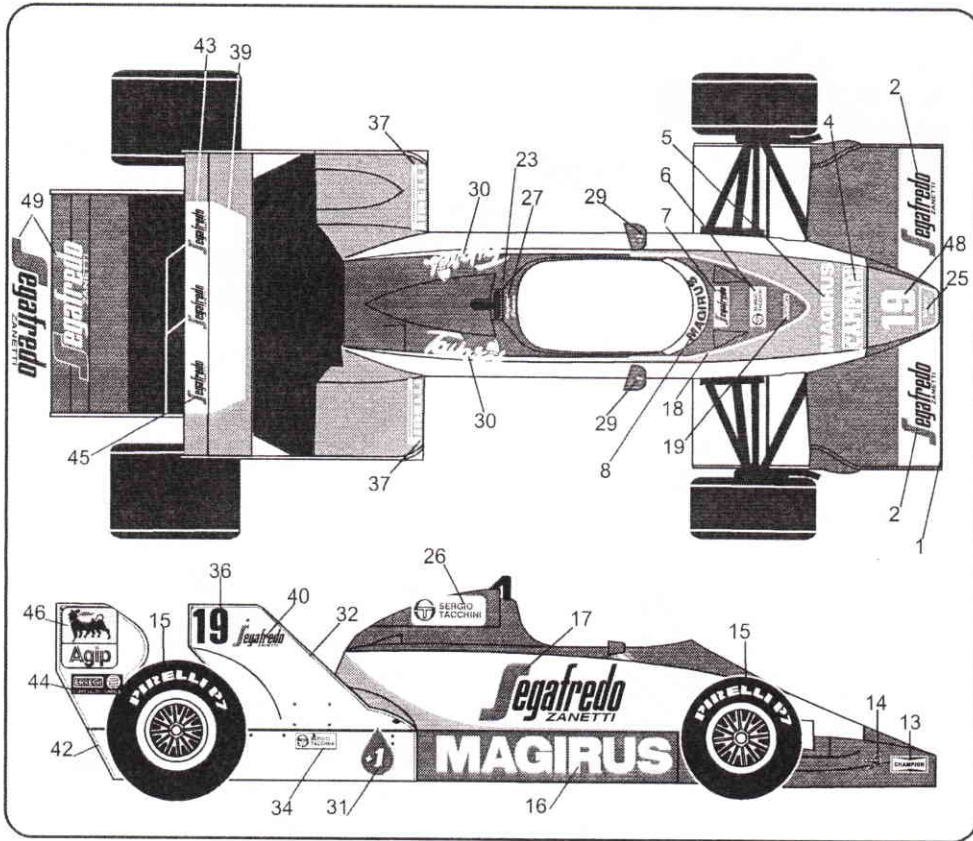
_____ **FRONT TYRES** x2 _____

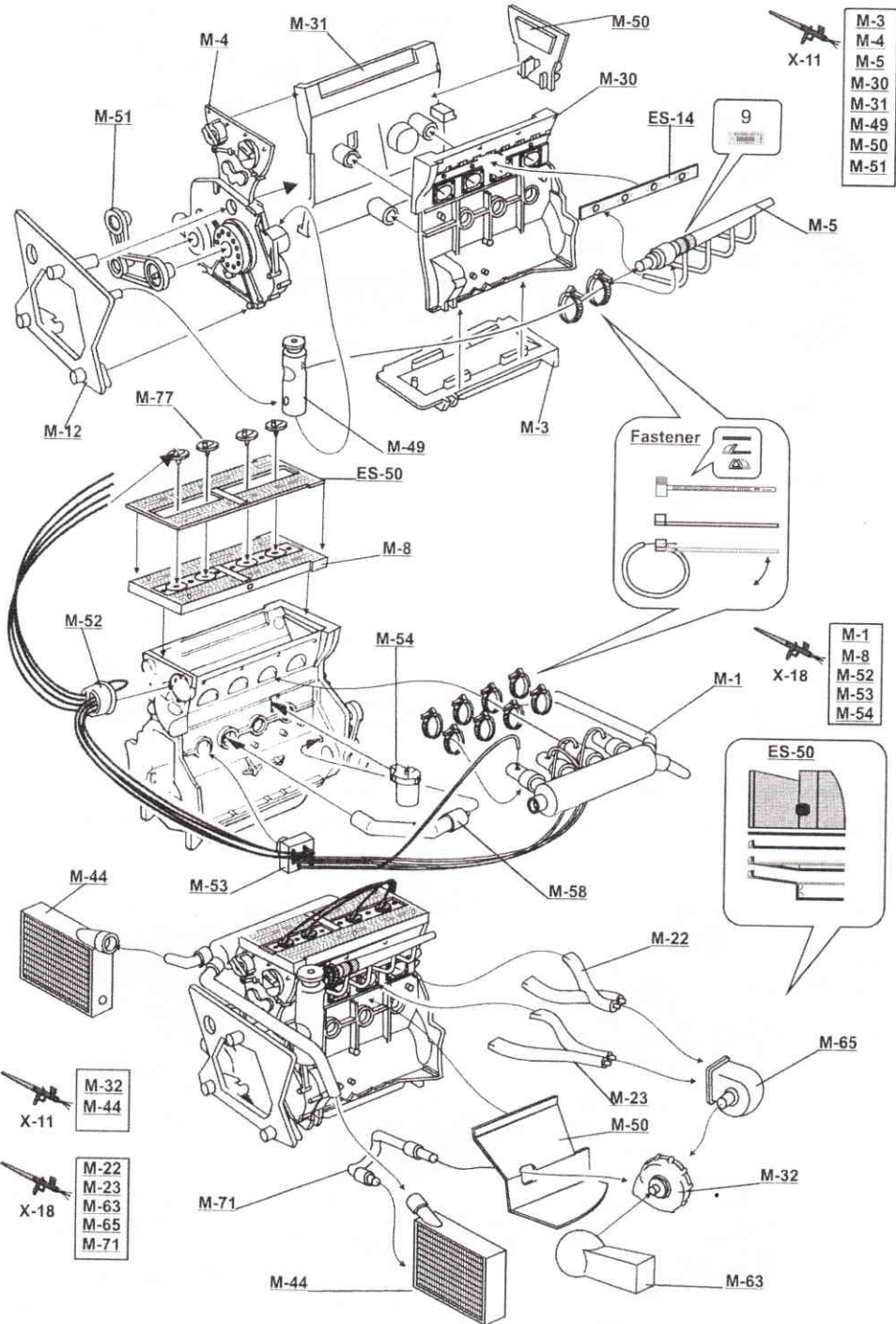
Metal parts

59 60 61 62 63 64 65 66

67 68 69 70

71 72 73 74 75 76 77



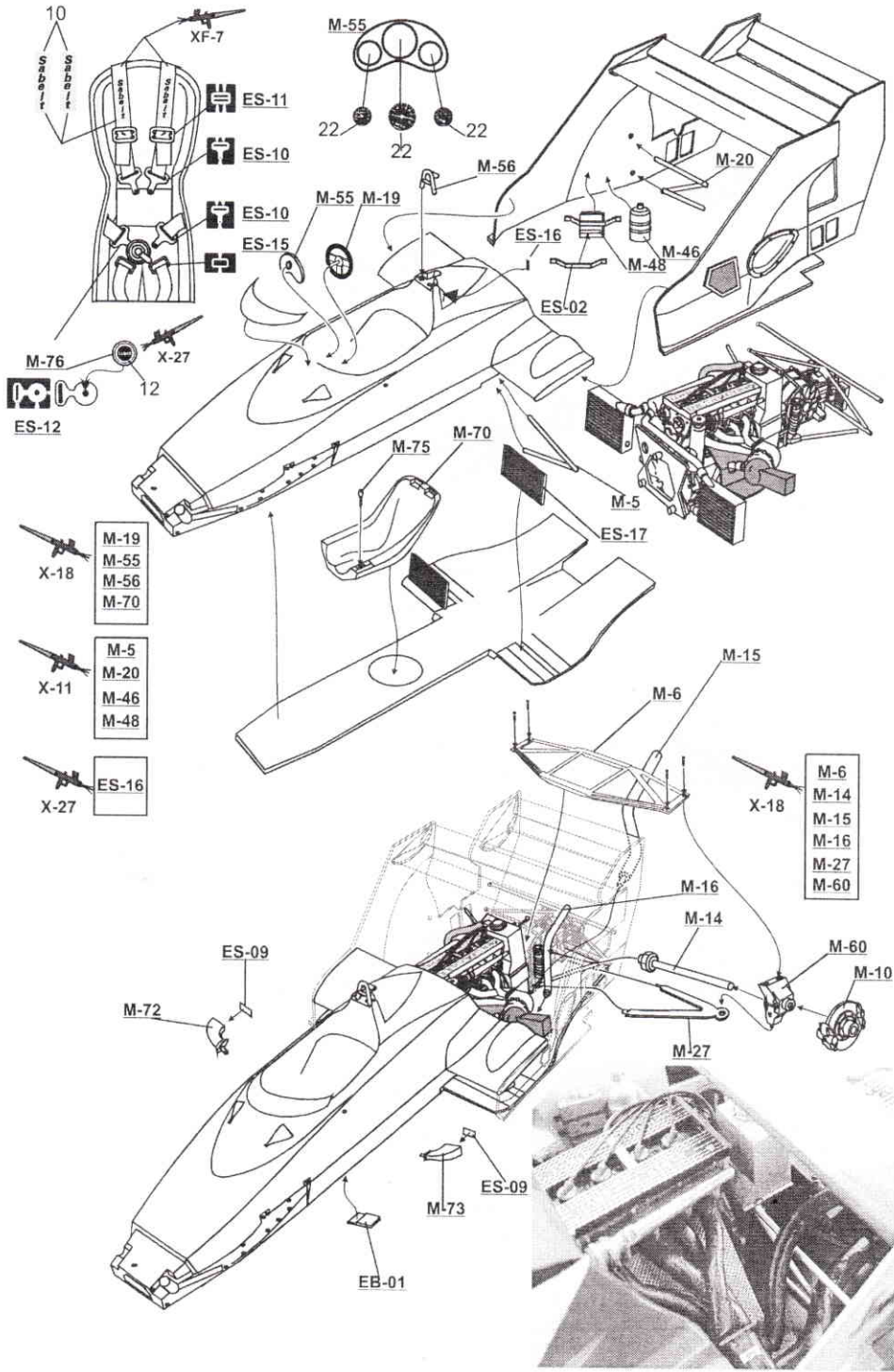


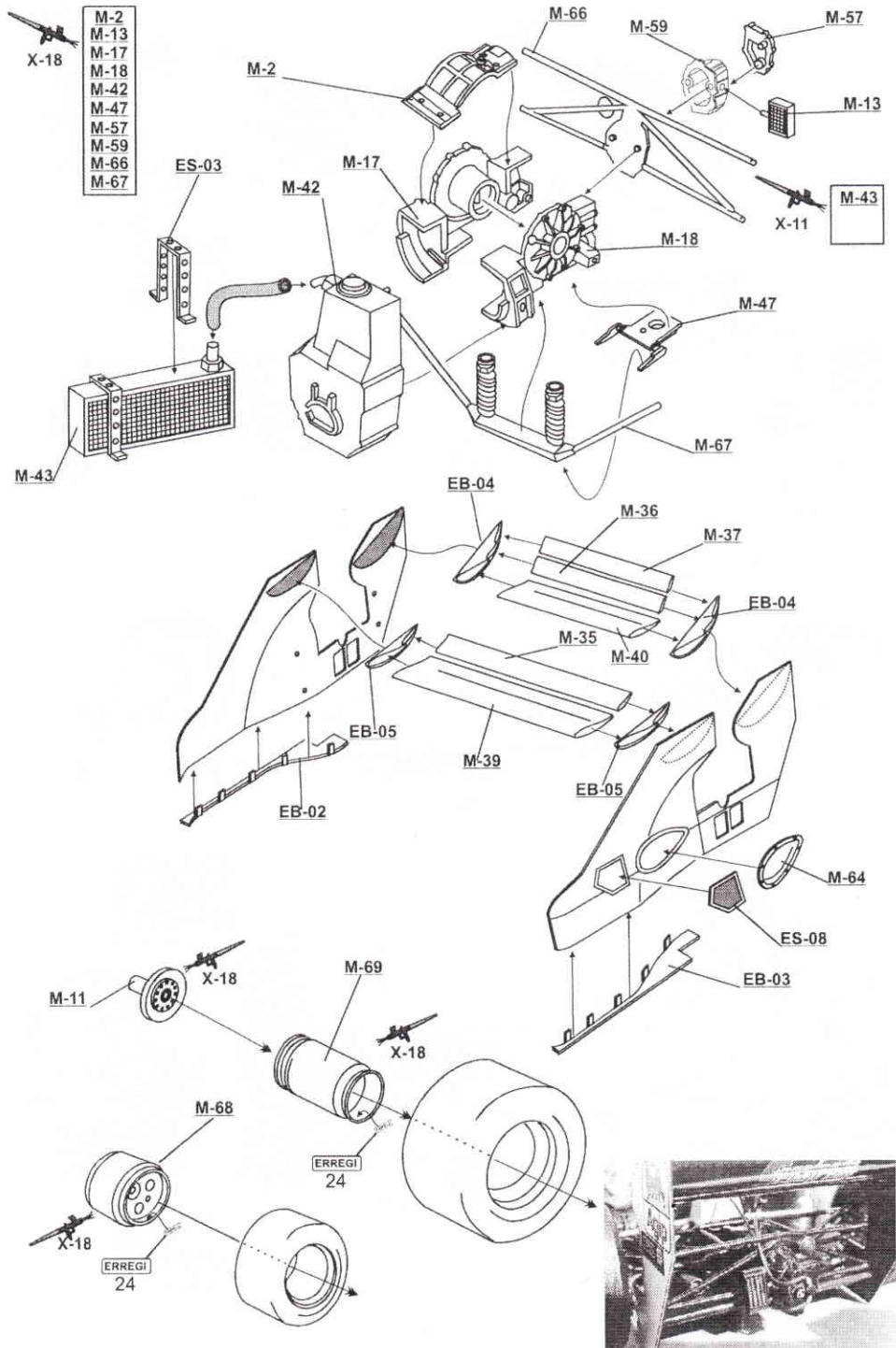
- M-3
- M-4
- M-5
- M-30
- M-31
- M-49
- M-50
- M-51

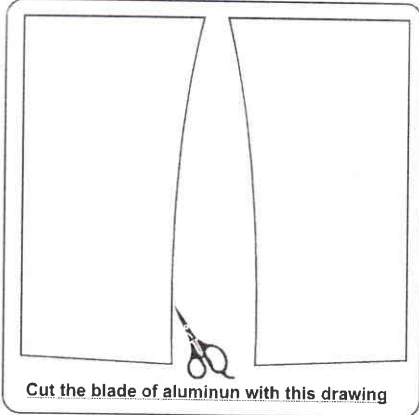
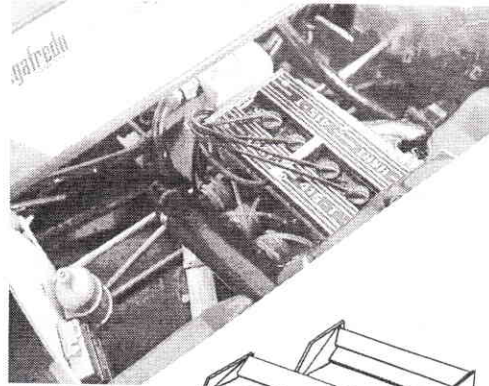
- M-1
- M-8
- M-52
- M-53
- M-54

- M-32
- M-44

- M-22
- M-23
- M-63
- M-65
- M-71







Cut the blade of aluminum with this drawing

- * Wire brass 30mm = X-18
- ** Wire brass 27mm = X-18
- *** Wire brass 26mm = X-11
- **** Wire brass 31mm = X-11

