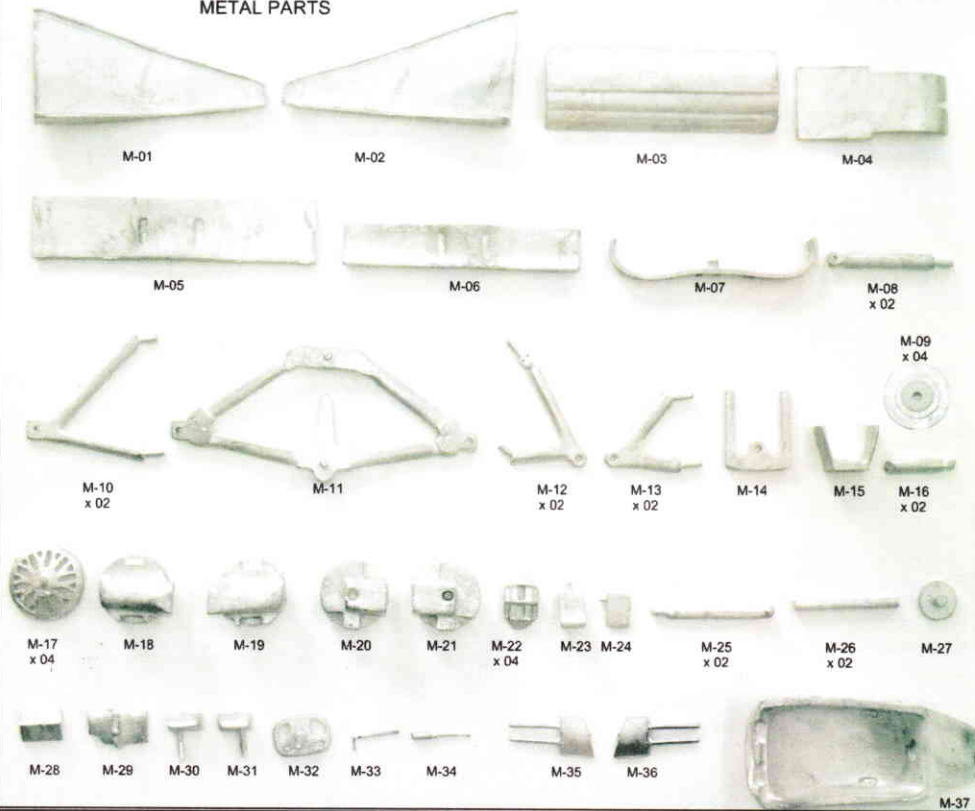
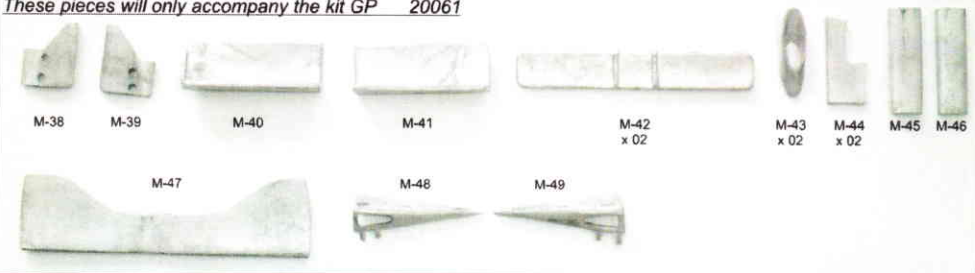




**METAL PARTS**

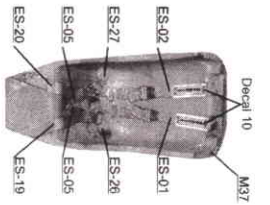


*These pieces will only accompany the kit GP 20061*

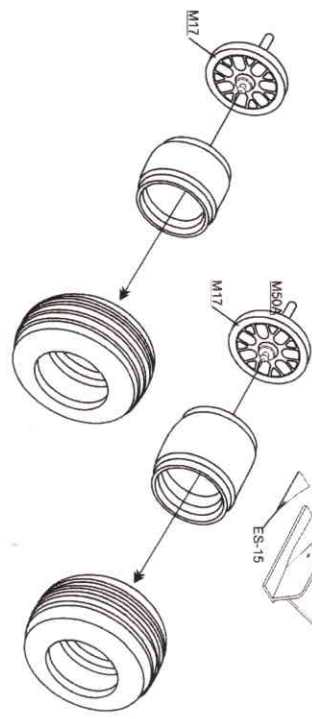


*These pieces will only accompany the kit GP 20060*





M03	M13	M27	M37	ES-04
M06	M14	M28	M42	ES-09
M06	M17	M29	M43	ES-11
M07	M20	M30	M44	ES-12
M08	M23	M31	M45	ES-21
M10	M24	M32	M46	ES-22
M11	M25	M33	M47	ES-24
M12	M26	M34		ES-25



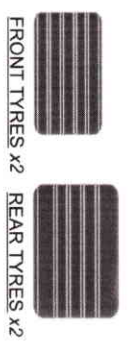
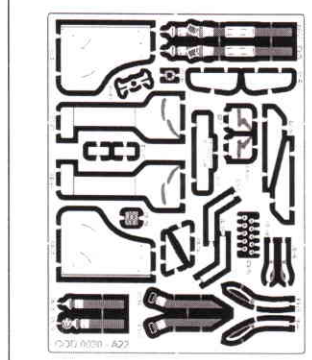
**WOODEN PLATE hardwood plank**

**WIRE brass**

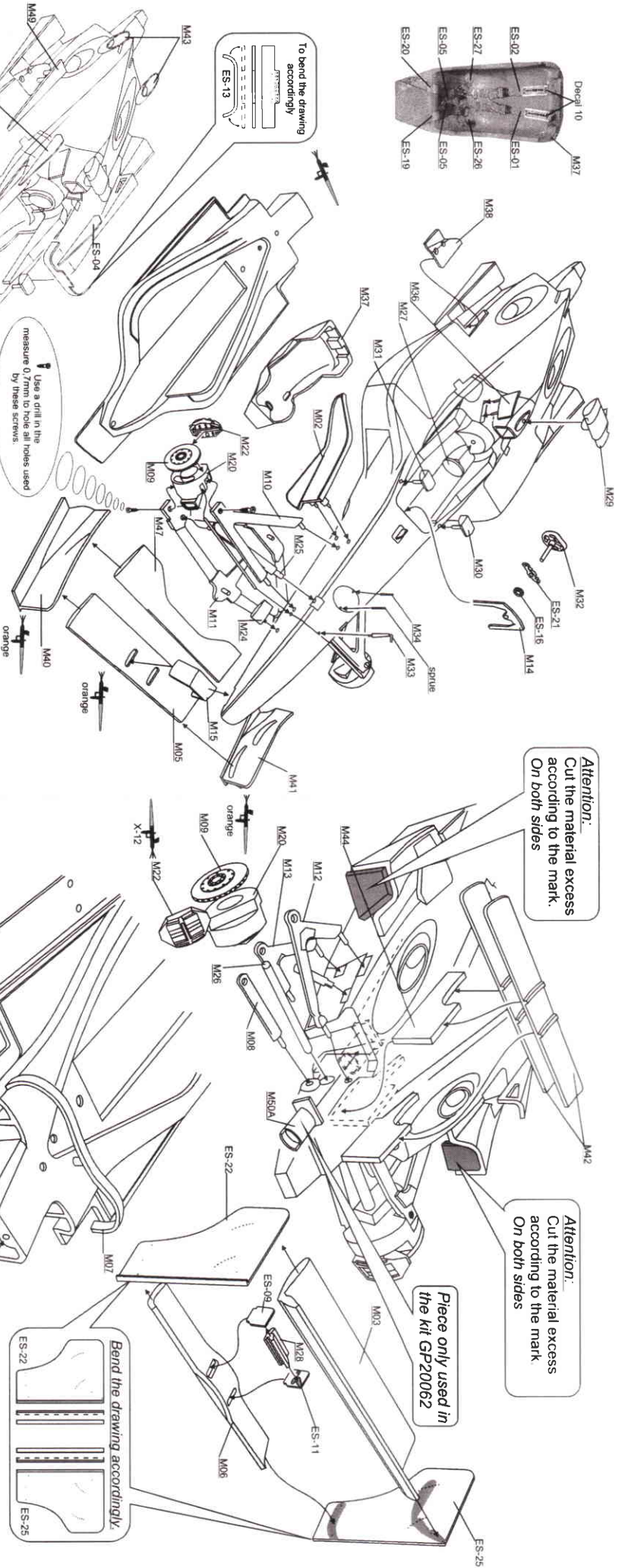
REAR wheels x2  
aluminum

FRONT wheels x2  
aluminum

- SCREW steel x2**
- SCREEN steel x10**
- TTTTTTTTTT**
- Resin parts x 2**
- Decal sheet x 2**



**Content of the kit**



To bend the drawing accordingly  
ES-13

Use a drill in the measure 0.7mm to hole all holes used by these screws.

To bend the drawing accordingly  
ES-24

**Attention:**  
Cut the material excess according to the mark.  
On both sides

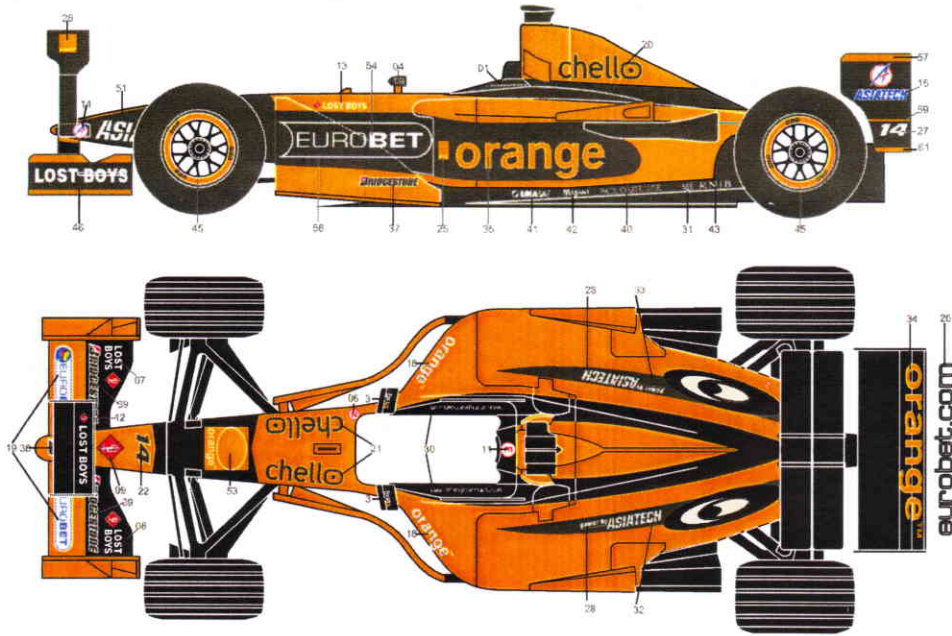
**Attention:**  
Cut the material excess according to the mark.  
On both sides

Piece only used in the kit GP20062

Bend the drawing accordingly.  
ES-22  
ES-25



DECAL PLACEMENT MONACO GP



DECAL PLACEMENT AUSTRIAN GP

